

SPECIFICATIONS

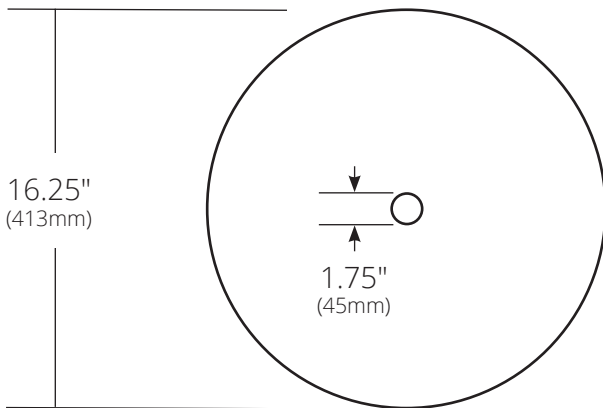
**VERONA**

*Murano Collection*



*Shown in Abyss*

TOP VIEW



- MG1717-AE Abalone
- MG1717-AS Abyss
- MG1717-BO Bianco
- MG1717-BR Beachcomber

**PRODUCT DETAILS**

- 16.25" x 4.5" OD  
(413mm x 115mm)
- 15.75" x 4.25" ID  
(394mm x 108mm)
- Handcrafted, Certified Murano Glass
- 1.75" (45mm) drain opening

**INSTALLATION**

- Vessel
- **Note:** 3.25" vessel cutout required for countertop (*larger than standard*)

**COORDINATING PRODUCTS**

- Drains: DR120, DR130 or DR150
- Vanity tops with vessel cutout

**STANDARDS COMPLIANCE**

- UPC/cUPC compliant

**IMPORTANT**

Due to the handcrafted nature of this product, it will vary in finish, texture, and other details. Dimensions may vary up to 1/2" (13mm).

SIDE VIEW

