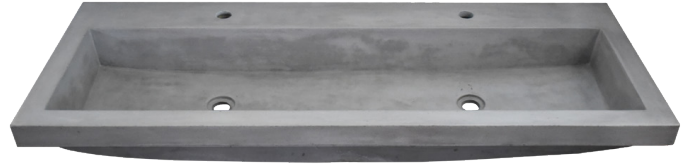


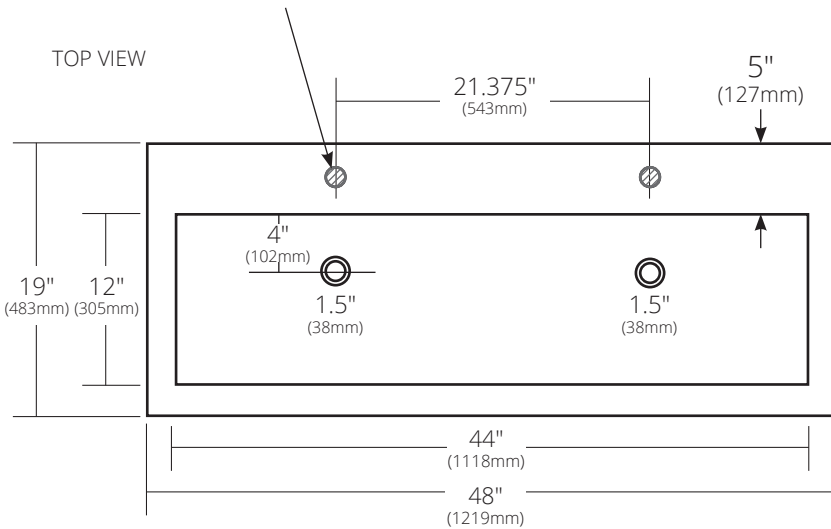
SPECIFICATIONS

TROUGH 4819

NativeStone® Collection



NOTE: These faucet holes do not exist in **no faucet hole** options.



Single Faucet Holes ☉

- NSL4819-A Ash
- NSL4819-S Slate
- NSL4819-P Pearl
- NSL4819-E Earth

No Faucet Hole

- NSL4819-AX Ash
- NSL4819-SX Slate
- NSL4819-PX Pearl
- NSL4819-EX Earth

PRODUCT DETAILS

- 48" x 19" x 5" OD (1219mm x 483mm x 127mm)
- 44" x 12" x 4.25" ID (1118mm x 305mm x 107mm)
- 1.5" (38mm) drain opening
- Handcrafted from sustainable NativeStone®
- Sealed with impermeable nano sealer

INSTALLATION

- Drop-in or Undermount

COORDINATING PRODUCTS

- Drains: DR120, DR130 or DR150
- NativeStone® Sealer

STANDARDS COMPLIANCE

- UPC/cUPC compliant



IMPORTANT

Do NOT use tape or other adhesives on NativeStone® as it may remove the sealer.

Due to the handcrafted nature of this product, it will vary in finish, texture, and other details. Dimensions may vary up to 1/4" (6mm).

