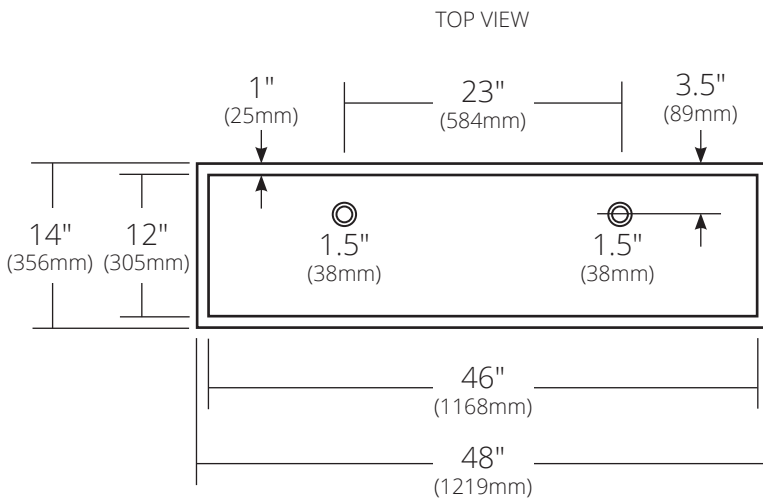


SPECIFICATIONS

TROUGH 48



- CPS208 Antique
- CPS508 Brushed Nickel
- CPS408 Polished Copper
- CPS808 Polished Nickel

PRODUCT DETAILS

- 48" x 14" x 6" OD (1219mm x 356mm x 152mm)
- 46" x 12" x 5.5" ID (1168mm x 305mm x 140mm)
- Hand hammered 16 gauge recycled copper
- Two 1.5" (38mm) drain openings

INSTALLATION

- Drop-In or Undermount

COORDINATING PRODUCTS

- Drains: DR120, DR130 or DR150
- MetalProtect™ for polished finishes

STANDARDS COMPLIANCE

- UPC/cUPC compliant
- **ADA**  **COMPLIANT**

IMPORTANT

Due to the handcrafted nature of this product, it will vary in finish, texture, hammering, and other details. Dimensions may vary up to 1/4" (6mm). We strongly recommend waiting for the actual product before making any installation cuts.

