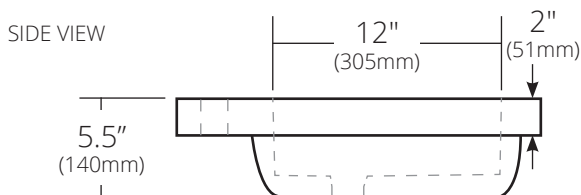
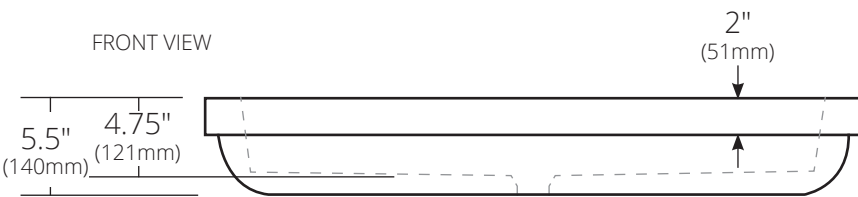
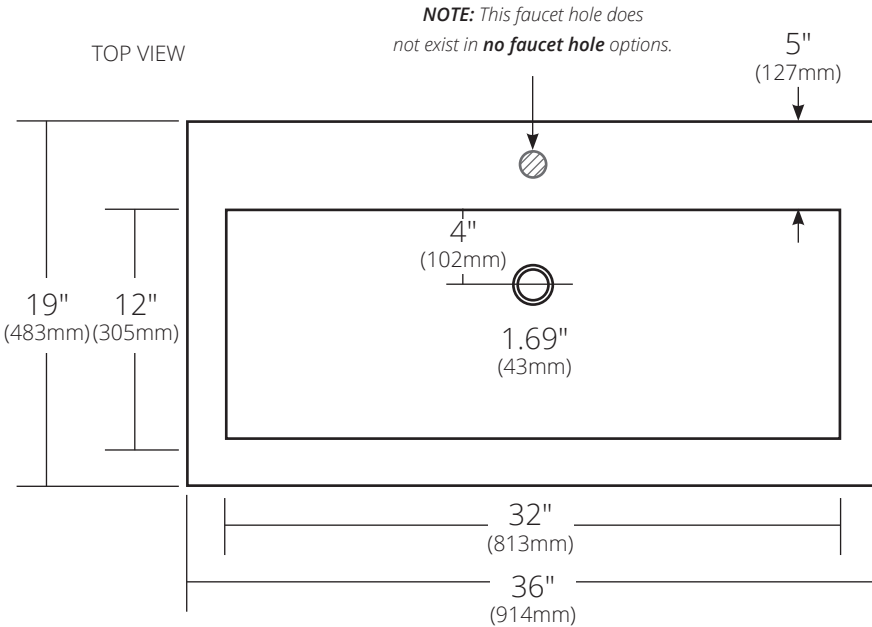


## SPECIFICATIONS

# TROUGH 3619

NativeStone® Collection



### Single Faucet Hole

NSL3619-A Ash  
 NSL3619-C Charcoal  
 NSL3619-D Sand  
 NSL3619-E Earth  
 NSL3619-F Forest\*  
 NSL3619-G Sage\*  
 NSL3619-O Ocean\*  
 NSL3619-P Pearl  
 NSL3619-S Slate  
 NSL3619-T Terracotta\*

### No Faucet Hole

NSL3619-AX Ash  
 NSL3619-CX Charcoal  
 NSL3619-DX Sand  
 NSL3619-EX Earth  
 NSL3619-FX Forest\*  
 NSL3619-GX Sage\*  
 NSL3619-OX Ocean\*  
 NSL3619-PX Pearl  
 NSL3619-SX Slate  
 NSL3619-TX Terracotta\*

\*Made to Order

### PRODUCT DETAILS

- 36" x 19" x 5.5" OD (914mm x 483mm x 140mm)
- 32" x 12" x 4.75" ID (813mm x 305mm x 121mm)
- 1.69" (43mm) drain opening for 1.5" drain
- Handcrafted from sustainable NativeStone
- Sealed with NativeStone Shield™
- Weight: approx. 66lbs

### INSTALLATION

- Drop-In

### COORDINATING PRODUCTS

- Drains: DR120, DR130 or DR150
- Vanity Top Cutout: -T3414 Trough 34x14
- Note: Total deck thickness is 3.25" with sink and top; choose faucet accordingly

### STANDARDS COMPLIANCE

- UPC/cUPC compliant



### IMPORTANT

Do NOT use tape or other adhesives on NativeStone as it may remove the sealer.

Due to the handcrafted nature of this product, it will vary in finish, texture, hammering, and other details. Dimensions may vary up to 1/4" (6mm). We strongly recommend waiting for the actual product before making any installation cuts.