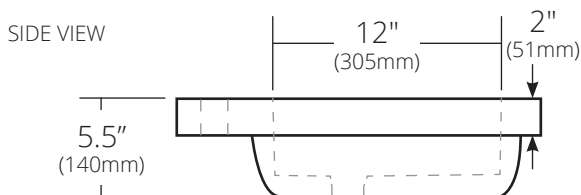
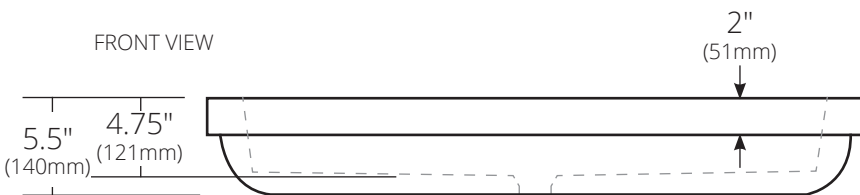
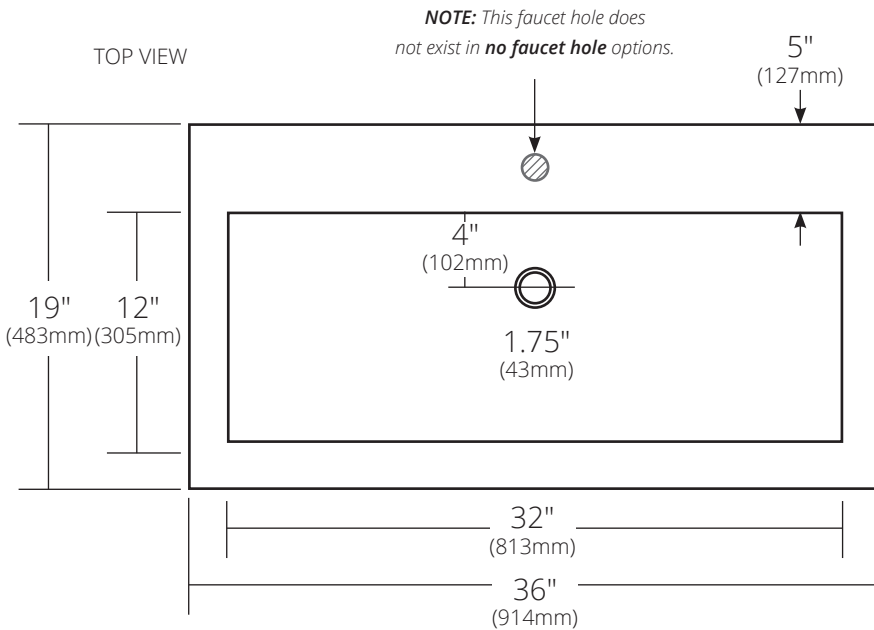


SPECIFICATIONS

TROUGH 3619

NativeStone® Collection



Single Faucet Hole

NSL3619-A Ash
 NSL3619-C Charcoal
 NSL3619-D Sand
 NSL3619-E Earth
 NSL3619-F Forest*
 NSL3619-G Sage*
 NSL3619-O Ocean*
 NSL3619-P Pearl
 NSL3619-S Slate
 NSL3619-T Terracotta*

No Faucet Hole

NSL3619-AX Ash
 NSL3619-CX Charcoal
 NSL3619-DX Sand
 NSL3619-EX Earth
 NSL3619-FX Forest*
 NSL3619-GX Sage*
 NSL3619-OX Ocean*
 NSL3619-PX Pearl
 NSL3619-SX Slate
 NSL3619-TX Terracotta*

*Made to Order

PRODUCT DETAILS

- 36" x 19" x 5.5" OD (914mm x 483mm x 140mm)
- 32" x 12" x 4.75" ID (813mm x 305mm x 121mm)
- 1.75" (43mm) drain opening
- Handcrafted from sustainable NativeStone
- Sealed with NativeStone Shield™
- Weight: approx. 66lbs

INSTALLATION

- Drop-In

COORDINATING PRODUCTS

- Drains: DR120, DR130 or DR150
- Vanity Top Cutout: -T3414 Trough 34x14
- Note: Total deck thickness is 3.25" with sink and top; choose faucet accordingly

STANDARDS COMPLIANCE

- UPC/cUPC compliant

• **ADA**
COMPLIANT

IMPORTANT

Do NOT use tape or other adhesives on NativeStone as it may remove the sealer.

Due to the handcrafted nature of this product, it will vary in finish, texture, hammering, and other details. Dimensions may vary up to 1/4" (6mm). We strongly recommend waiting for the actual product before making any installation cuts.