

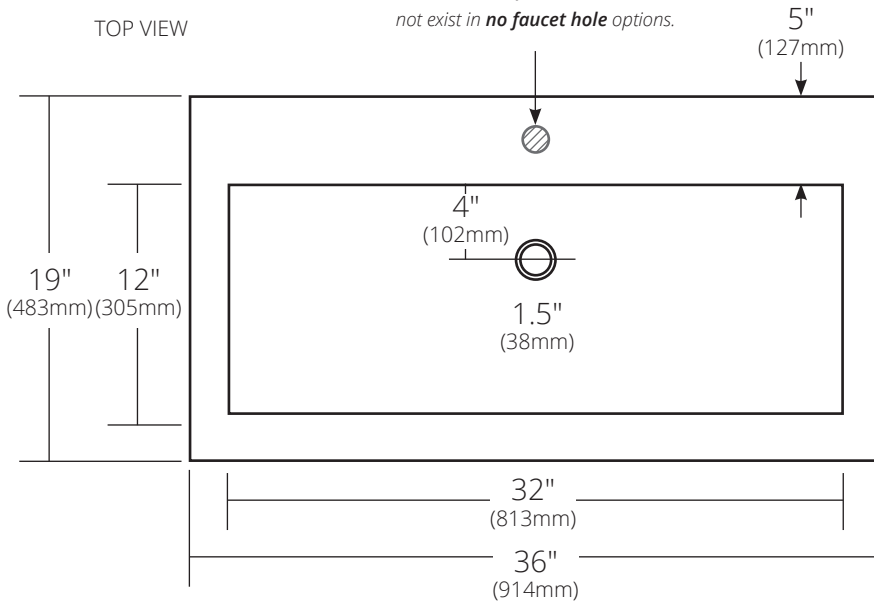
SPECIFICATIONS

TROUGH 3619

NativeStone® Collection



NOTE: This faucet hole does not exist in **no faucet hole** options.



Single Faucet Hole 

- NSL3619-A Ash
- NSL3619-S Slate
- NSL3619-P Pearl
- NSL3619-E Earth

No Faucet Hole

- NSL3619-AX Ash
- NSL3619-SX Slate
- NSL3619-PX Pearl
- NSL3619-EX Earth

PRODUCT DETAILS

- 36" x 19" x 5" OD (914mm x 483mm x 127mm)
- 32" x 12" x 4.25" ID (813mm x 305mm x 107mm)
- 1.5" (38mm) drain opening
- Handcrafted from sustainable NativeStone®
- Sealed with impermeable nano sealer

INSTALLATION

- Drop-in

COORDINATING PRODUCTS

- Drains: DR120, DR130 or DR150
- NativeStone® Sealer

STANDARDS COMPLIANCE

- UPC/cUPC compliant
- **ADA**  **COMPLIANT**

IMPORTANT

Do NOT use tape or other adhesives on NativeStone® as it may remove the sealer.

Due to the handcrafted nature of this product, it will vary in finish, texture, and other details. Dimensions may vary up to ¼" (6mm).

