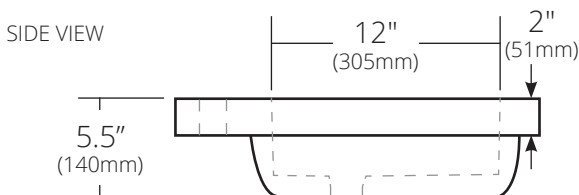
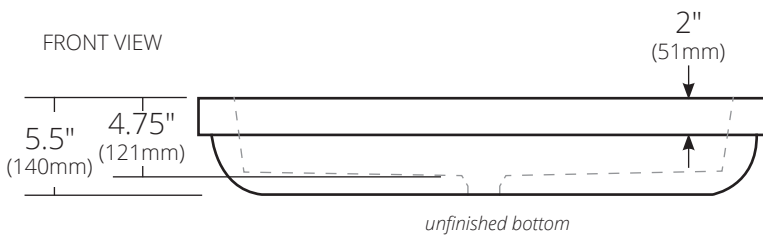
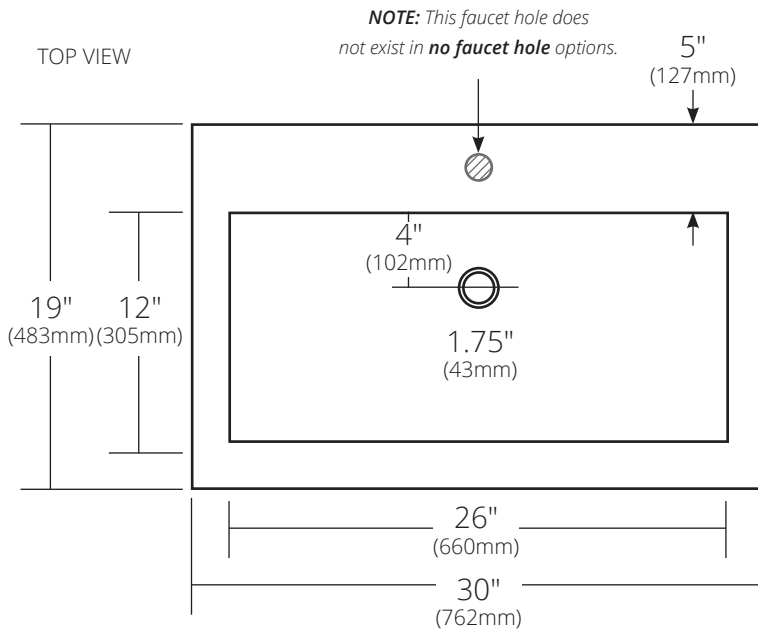


SPECIFICATIONS

TROUGH 3019

NativeStone® Collection



Single Faucet Hole 	No Faucet Hole
NSL3019-A Ash	NSL3019-AX Ash
NSL3019-C Charcoal	NSL3019-CX Charcoal
NSL3019-D Sand	NSL3019-DX Sand
NSL3019-E Earth	NSL3019-EX Earth
NSL3019-F Forest*	NSL3019-FX Forest*
NSL3019-G Sage*	NSL3019-GX Sage*
NSL3019-O Ocean*	NSL3019-OX Ocean*
NSL3019-P Pearl	NSL3019-PX Pearl
NSL3019-S Slate	NSL3019-SX Slate
NSL3019-T Terracotta*	NSL3019-TX Terracotta*

*Made to Order

PRODUCT DETAILS

- 30" x 19" x 5.5" OD (762mm x 483mm x 140mm)
- 26" x 12" x 4.75" ID (660mm x 305mm x 121mm)
- 1.75" (43mm) drain opening
- Handcrafted from sustainable NativeStone
- Sealed with NativeStone Shield™
- Weight: approx. 54lbs

INSTALLATION

- Drop-In

COORDINATING PRODUCTS

- Drains: DR120, DR130 or DR150
- Vanity Top Cutout: -T2814 Trough 28x14
- Note: Total deck thickness is 3.25" with sink and top; choose faucet accordingly

STANDARDS COMPLIANCE

- UPC/cUPC compliant

• **ADA**  **COMPLIANT**

IMPORTANT

Do NOT use tape or other adhesives on NativeStone as it may remove the sealer.

Due to the handcrafted nature of this product, it will vary in finish, texture, hammering, and other details. Dimensions may vary up to 1/4" (6mm). We strongly recommend waiting for the actual product before making any installation cuts.