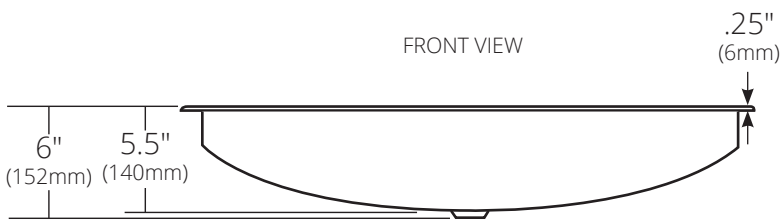
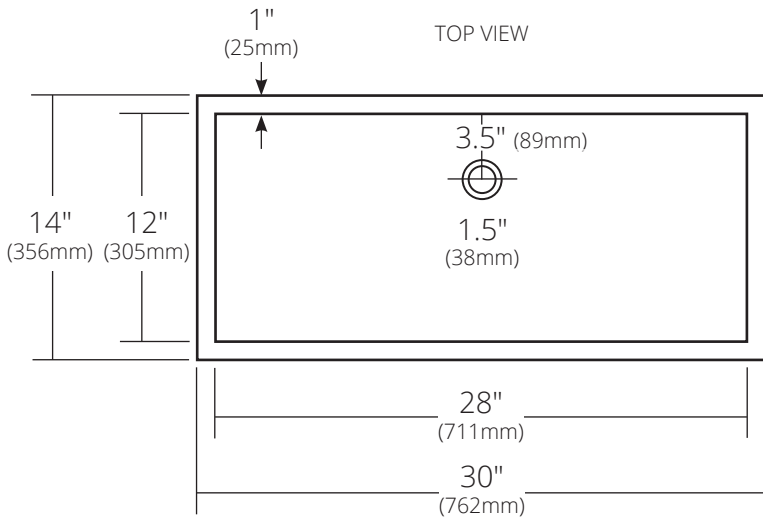


SPECIFICATIONS

**TROUGH 30**



CPS200 Antique  
 CPS400 Polished Copper  
 CPS500 Brushed Nickel  
 CPS800 Polished Nickel

**PRODUCT DETAILS**

- 30" x 14" x 6" OD (762mm x 356mm x 152mm)
- 28" x 12" x 5.5" ID (711mm x 305mm x 140mm)
- Hand hammered 16 gauge recycled copper
- 1.5" (38mm) drain opening

**INSTALLATION**

- Drop-In or Undermount

**COORDINATING PRODUCTS**

- Drains: DR120, DR130 or DR150
- MetalProtect™ for polished finishes
- Vanity Top Cutout: -T2812 Trough 28x12

**STANDARDS COMPLIANCE**

- UPC/cUPC compliant
- **ADA**  COMPLIANT

**IMPORTANT**

Due to the handcrafted nature of this product, it will vary in finish, texture, hammering, and other details. Dimensions may vary up to 1/4" (6mm). We strongly recommend waiting for the actual product before making any installation cuts.