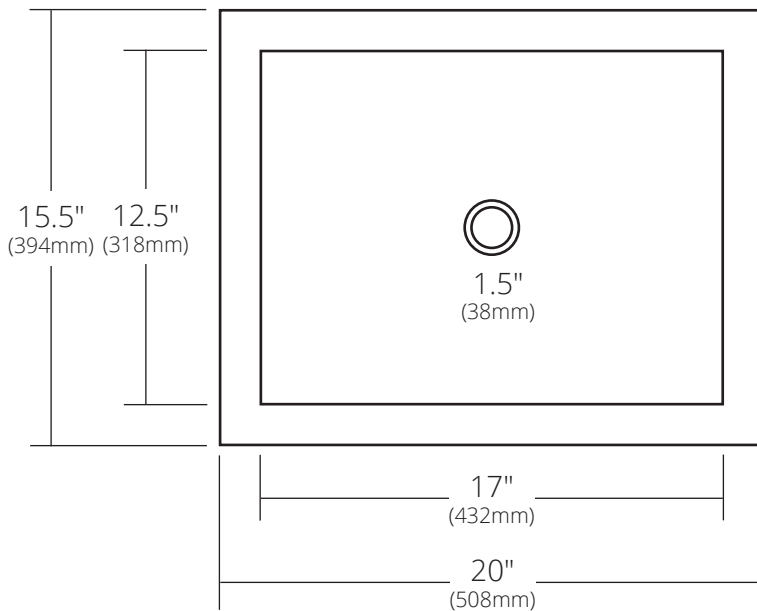


SPECIFICATIONS

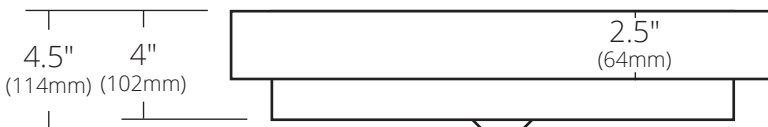
**TATRA**



TOP VIEW



FRONT VIEW



- CPS246 Antique
- CPS546 Brushed Nickel
- CPS446 Polished Copper
- CPS846 Polished Nickel

**PRODUCT DETAILS**

- 20" x 15.5" x 4.5" OD (508mm x 394mm x 114mm)
- 17" x 12.5" x 4" ID (432mm x 318mm x 102mm)
- Hand hammered 16 gauge recycled copper
- 1.5" (38mm) drain opening

**INSTALLATION**

- Drop-In

**COORDINATING PRODUCTS**

- Drains: DR120, DR130 or DR150
- MetalProtect® for polished finishes

**STANDARDS COMPLIANCE**

- UPC/cUPC compliant
- **ADA** COMPLIANT

**IMPORTANT**

Due to the handcrafted nature of this product, it will vary in finish, texture, hammering, and other details. Dimensions may vary up to ¼" (6mm). We strongly recommend waiting for the actual product before making any installation cuts.