

SPECIFICATIONS

**ROLLED CLASSIC**



CPS240 Antique  
CPS540 Brushed Nickel

**PRODUCT DETAILS**

- 18.5" x 15.5" x 5.5" OD (470mm x 394mm x 140mm)
- 16.75" x 13.75" x 5" ID (425mm x 349mm x 127mm)
- Hand hammered 18 gauge recycled copper
- 1.5" (38mm) drain opening

**INSTALLATION**

- Drop-in

**COORDINATING PRODUCTS**

- Drains: DR120, DR130, DR150 or DR160
- MetalProtect™

**STANDARDS COMPLIANCE**

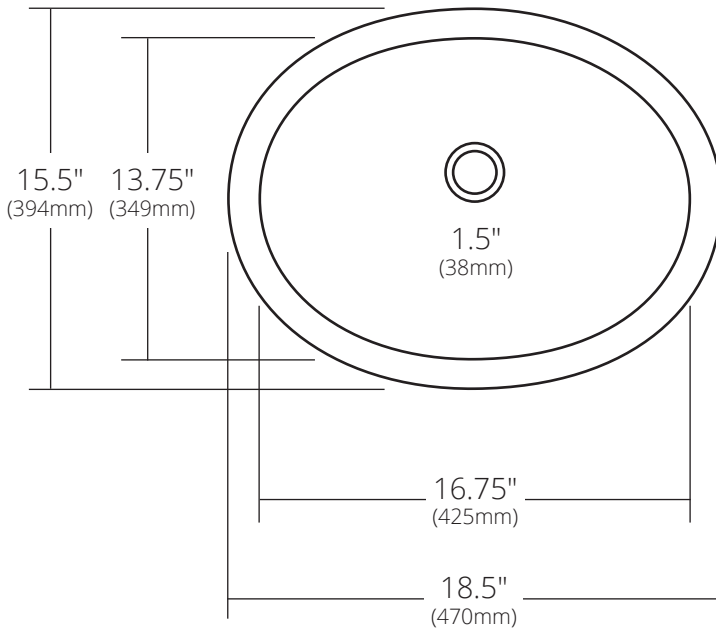
- UPC/cUPC compliant



**IMPORTANT**

Due to the handcrafted nature of this product, it will vary in finish, texture, hammering, and other details. Dimensions may vary up to 1/4" (6mm). We strongly recommend waiting for the actual product before making any installation cuts.

TOP VIEW



FRONT VIEW

