

SPECIFICATIONS

ROLLED CLASSIC



CPS240 Antique
CPS540 Brushed Nickel

PRODUCT DETAILS

- 18.5" x 15.5" x 5.5" OD (470mm x 394mm x 140mm)
- 16.75" x 13.75" x 5" ID (425mm x 349mm x 127mm)
- Hand hammered 18 gauge recycled copper
- 1.5" (38mm) drain opening

INSTALLATION

- Drop-In

COORDINATING PRODUCTS

- Drains: DR120, DR130 or DR150

STANDARDS COMPLIANCE

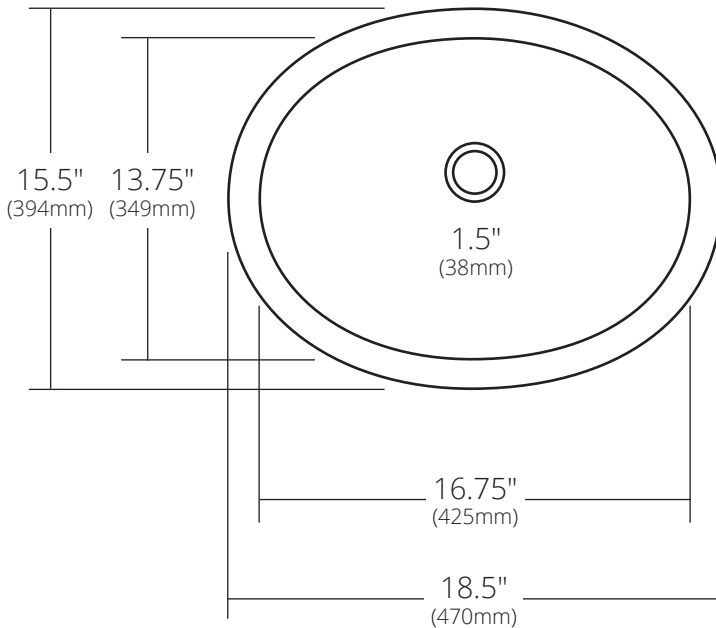
- UPC/cUPC compliant

• **ADA**  **COMPLIANT**

IMPORTANT

Due to the handcrafted nature of this product, it will vary in finish, texture, hammering, and other details. Dimensions may vary up to 1/4" (6mm). We strongly recommend waiting for the actual product before making any installation cuts.

TOP VIEW



FRONT VIEW

