

SPECIFICATIONS

ROLLED BABY CLASSIC



CPS239 Antique
CPS539 Brushed Nickel

PRODUCT DETAILS

- 15.5" x 12" x 5" OD (394mm x 305mm x 127mm)
- 13.5" x 10" x 4.5" ID (343mm x 254mm x 114mm)
- Hand hammered 18 gauge recycled copper
- 1.5" (38mm) drain opening

INSTALLATION

- Drop-In

COORDINATING PRODUCTS

- Drains: DR120, DR130 or DR150

STANDARDS COMPLIANCE

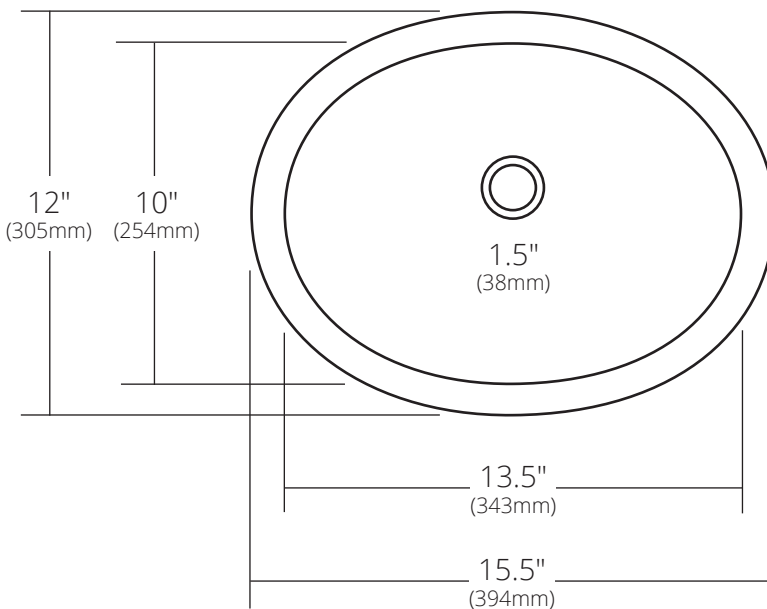
- UPC/cUPC compliant



IMPORTANT

Due to the handcrafted nature of this product, it will vary in finish, texture, hammering, and other details. Dimensions may vary up to ¼" (6mm). We strongly recommend waiting for the actual product before making any installation cuts.

TOP VIEW



FRONT VIEW

