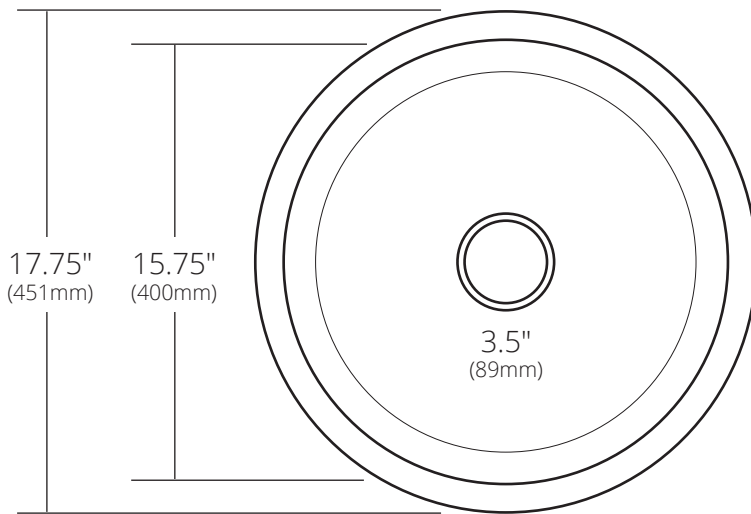


SPECIFICATIONS

REDONDO GRANDE



TOP VIEW



- CPS251 Antique
- CPS551 Brushed Nickel
- CPS451 Polished Copper
- CPS851 Polished Nickel

PRODUCT DETAILS

- 17.75" x 9.5" OD (451mm x 241mm)
- 15.75" x 9" ID (400mm x 229mm)
- Hand hammered 16 gauge recycled copper
- 3.5" (89mm) drain opening

INSTALLATION

- Universal Mount

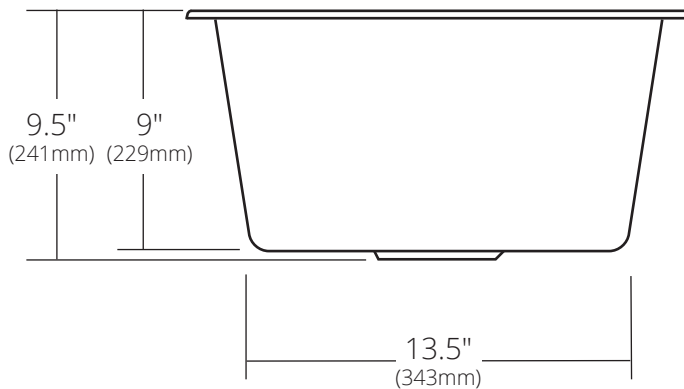
COORDINATING PRODUCTS

- Drains: DR320 or DR340
- Bottom Grid: GR914
- MetalProtect™

STANDARDS COMPLIANCE

- UPC/cUPC compliant

SIDE VIEW



IMPORTANT

Due to the handcrafted nature of this product, it will vary in finish, texture, hammering, and other details. Dimensions may vary up to 1/4" (6mm). We strongly recommend waiting for the actual product before making any installation cuts.