

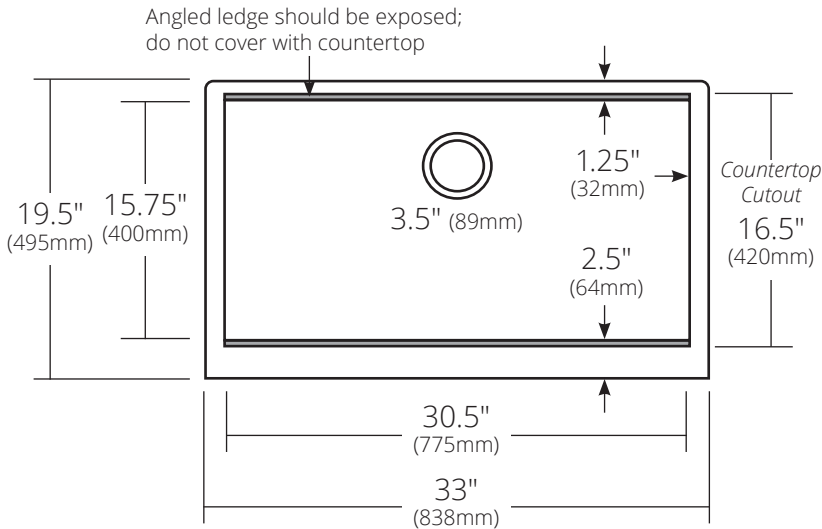
SPECIFICATIONS

PARAGON CONCIERGE 33

Concierge Collection / Copper Collection



TOP VIEW



CPKG291 Antique
CPKG591 Brushed Nickel

PRODUCT DETAILS

- 33" x 19.5" x 10.25" OD (838mm x 495mm x 260mm)
- 6.5" Apron (165mm) allows for installation in standard cabinet
- 30.5" x 15.75" x 9.75" ID (775mm x 400mm x 248mm)
- Hand hammered 16 gauge recycled copper
- Apron extends 1.5" (38mm) on sides
- 3.5" (89mm) drain opening

INSTALLATION

- Undermount
- Install flush mount (or positive reveal)
- **IMPORTANT:** Install with the angled ledge exposed for accessory use
- Cutout is approx. 31" x 16.5", but as with any handmade sink, wait for actual product before cutting countertop

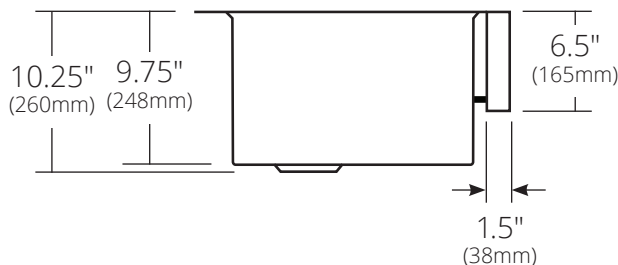
FRONT VIEW



COORDINATING PRODUCTS

- Drains: DR320 or DR340
- Bottom Grid: GRR2914
- Concierge Accessories: Cutting Board (*included*), Colander (GCL1607), Drying Rack (GDR1610)
- UK2547 Undermount Kit

SIDE VIEW



STANDARDS COMPLIANCE

- UPC/cUPC compliant

IMPORTANT

Due to the handcrafted nature of this product, it will vary in finish, texture, hammering, and other details. Dimensions may vary up to ¼" (6mm). We strongly recommend waiting for the actual product before making any installation cuts. Native Trails is not responsible for improper sink or countertop installations.