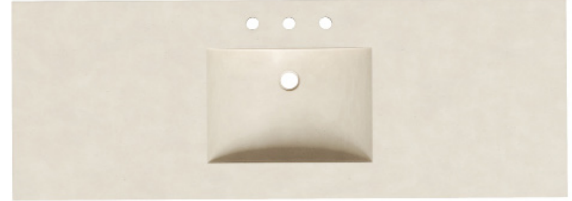


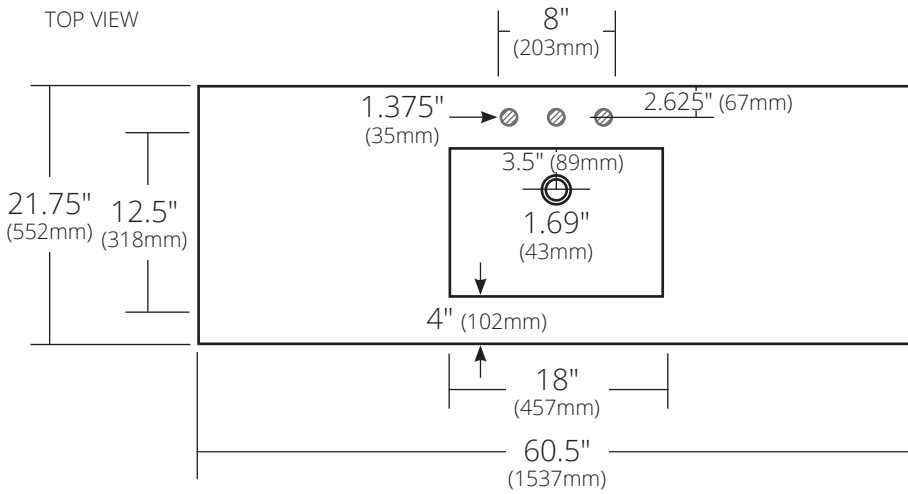
SPECIFICATIONS

**60" PALOMAR VANITY TOP WITH INTEGRAL SINK**

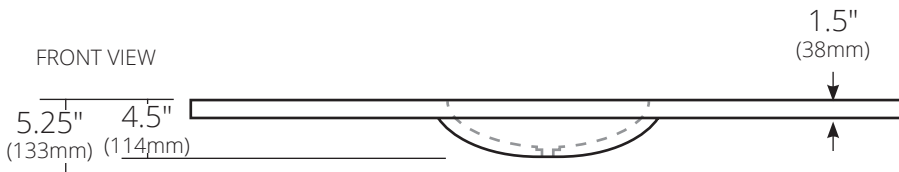
NativeStone® Collection



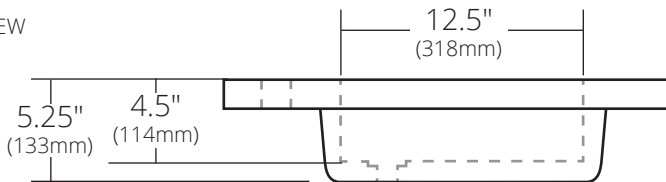
TOP VIEW



FRONT VIEW



SIDE VIEW



**8" Faucet Spread**

- NSVNT60-A Ash
- NSVNT60-C Charcoal\*
- NSVNT60-D Sand\*
- NSVNT60-E Earth\*
- NSVNT60-P Pearl
- NSVNT60-S Slate\*



**Single Faucet Hole**

- NSVNT60-A1 Ash
- NSVNT60-C1 Charcoal\*
- NSVNT60-D1 Sand\*
- NSVNT60-E1 Earth\*
- NSVNT60-P1 Pearl
- NSVNT60-S1 Slate\*

\*Made to Order

**PRODUCT DETAILS**

- 60.5" x 21.75" x 5.25" OD (1537mm x 552mm x 133mm)
- Basin 18" x 12.5" x 4.5" (457mm x 318mm x 114mm)
- 1.69" (43mm) drain opening for a 1.75" drain
- Pre-drilled for 8" (203mm) faucet spread or single faucet hole
- Handcrafted from sustainable NativeStone
- Sealed with NativeStone Shield™
- Weight: approx 119lbs

**COORDINATING PRODUCTS**

- Drains: DR120, DR130 or DR150

**STANDARDS COMPLIANCE**

- UPC/cUPC compliant



**IMPORTANT**

Do NOT use tape or other adhesives on NativeStone as it may remove the sealer.

Due to the handcrafted nature of this product, it will vary in finish, texture, and other details. Dimensions may vary up to 1/4" (6mm).