

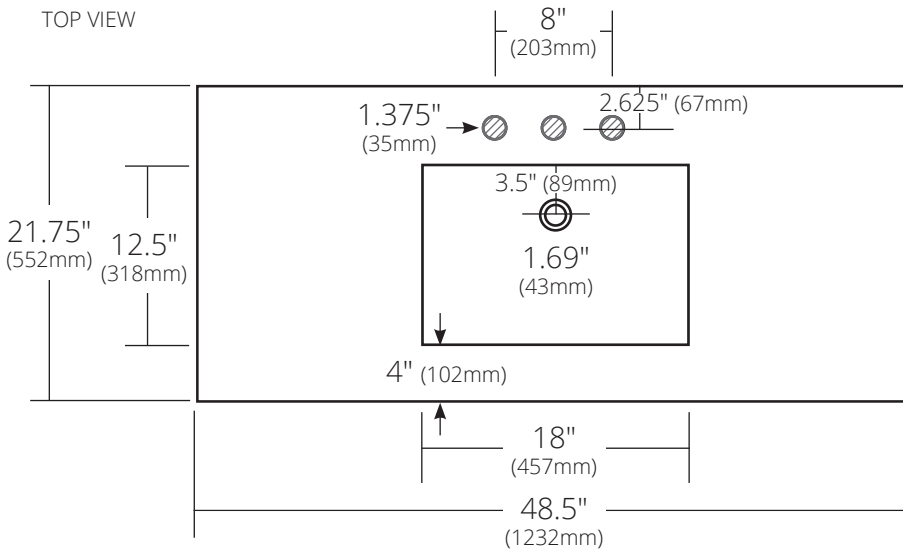
SPECIFICATIONS

48" PALOMAR VANITY TOP WITH INTEGRAL SINK

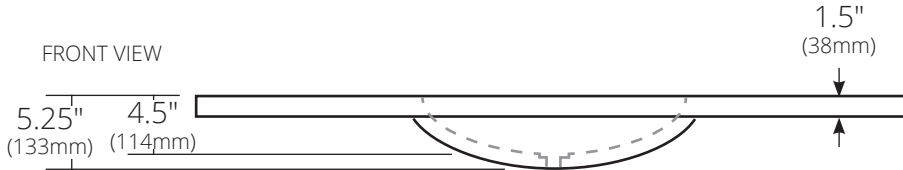
NativeStone® Collection



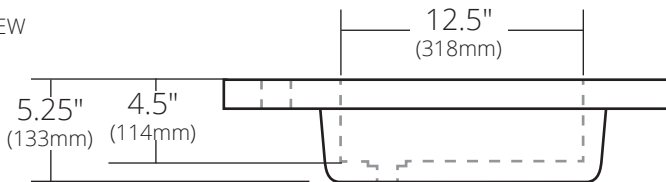
TOP VIEW



FRONT VIEW



SIDE VIEW



8" Faucet Spread

- NSVNT48-A Ash
- NSVNT48-C Charcoal
- NSVNT48-D Sand
- NSVNT48-E Earth
- NSVNT48-P Pearl
- NSVNT48-S Slate



Single Faucet Hole

- NSVNT48-A1 Ash
- NSVNT48-C1 Charcoal
- NSVNT48-D1 Sand
- NSVNT48-E1 Earth
- NSVNT48-P1 Pearl
- NSVNT48-S1 Slate

PRODUCT DETAILS

- 48.5" x 21.75" x 5.25" OD (1232mm x 552mm x 133mm)
- Basin 18" x 12.5" x 4.5" (457mm x 318mm x 114mm)
- 1.69" (43mm) drain opening for a 1.5" drain
- Pre-drilled for 8" (203mm) faucet spread or single faucet hole
- Handcrafted from sustainable NativeStone
- Sealed with NativeStone Shield™
- Weight: approx. 93lbs

COORDINATING PRODUCTS

- Drains: DR120, DR130 or DR150

STANDARDS COMPLIANCE

- UPC/cUPC compliant
- **ADA COMPLIANT**

IMPORTANT

Do NOT use tape or other adhesives on NativeStone as it may remove the sealer.

Due to the handcrafted nature of this product, it will vary in finish, texture, and other details. Dimensions may vary up to 1/4" (6mm).