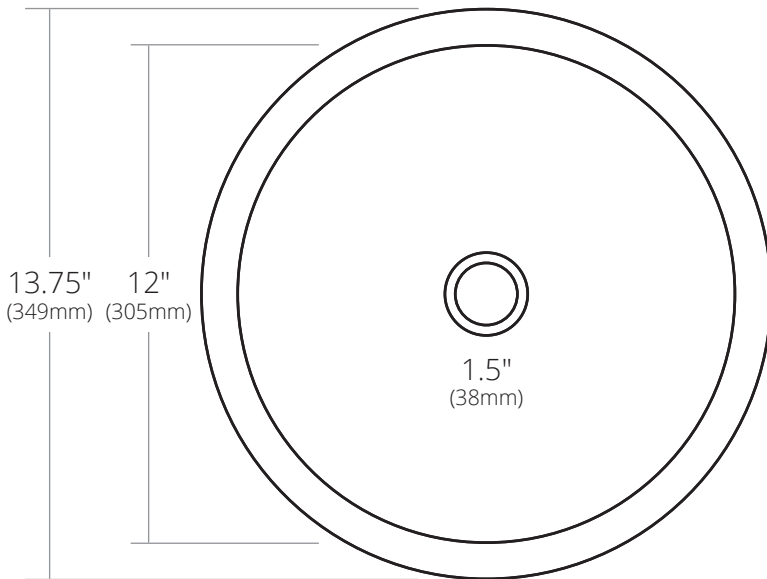


SPECIFICATIONS

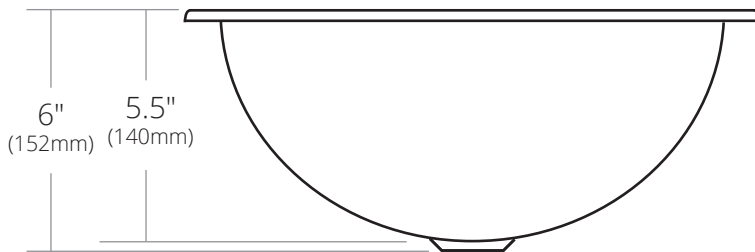
PALOMA



TOP VIEW



FRONT VIEW



CPS259 Antique
CPS559 Brushed Nickel

PRODUCT DETAILS

- 13.75" x 6" OD (349mm x 152mm)
- 12" x 5.5" ID (305mm x 140mm)
- Hand hammered 16 gauge recycled copper
- 1.5" (38mm) drain opening

INSTALLATION

- Universal Mount

COORDINATING PRODUCTS

- Drains : DR120, DR130, DR150 or DR160
- MetalProtect™

STANDARDS COMPLIANCE

- UPC/cUPC compliant
- **ADA**  COMPLIANT

IMPORTANT

Due to the handcrafted nature of this product, it will vary in finish, texture, hammering, and other details. Dimensions may vary up to 1/4" (6mm). We strongly recommend waiting for the actual product before making any installation cuts.