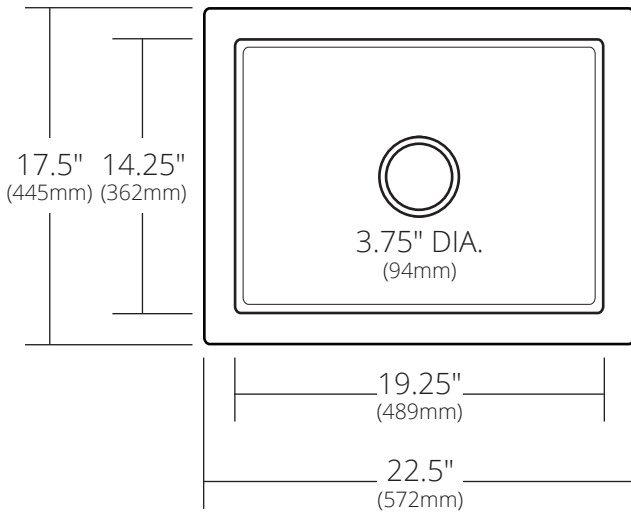


SPECIFICATIONS

PACIFICA 2217

NativeStone® Collection

TOP VIEW

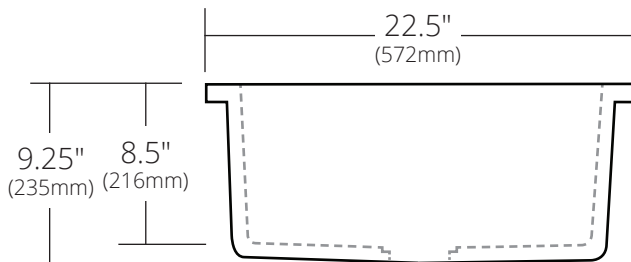


- NSK2217-A Ash
- NSK2217-C Charcoal
- NSK2217-D Sand
- NSK2217-E Earth
- NSK2217-P Pearl
- NSK2217-S Slate

PRODUCT DETAILS

- 22.5" x 17.5" x 9.25" OD (572mm x 445mm x 235mm)
- 19.25" x 14.25" x 8.5" ID (489mm x 362mm x 216mm)
- 3.75" (94mm) drain opening
- Handcrafted from sustainable NativeStone
- Sealed with NativeStone Shield™
- Weight: approx. 44lbs

FRONT VIEW



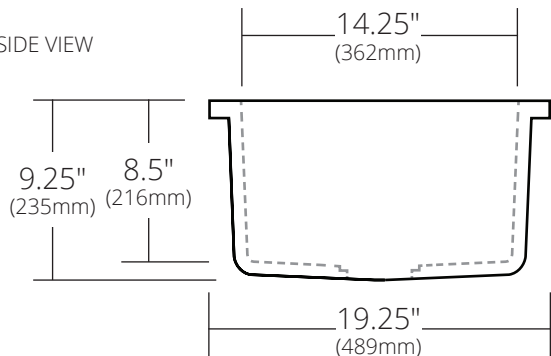
INSTALLATION

- Undermount

COORDINATING PRODUCTS

- Drains: DR320 or DR340
- Bottom Grid: GRD1813
- UK1426 Undermount Kit

SIDE VIEW



STANDARDS COMPLIANCE

- UPC/cUPC compliant

IMPORTANT

Do NOT use tape or other adhesives on NativeStone as it may remove the sealer.

Due to the handcrafted nature of this product, it will vary in finish, texture, and other details. Dimensions may vary up to ¼" (6mm). We strongly recommend waiting for the actual product before making any installation cuts.