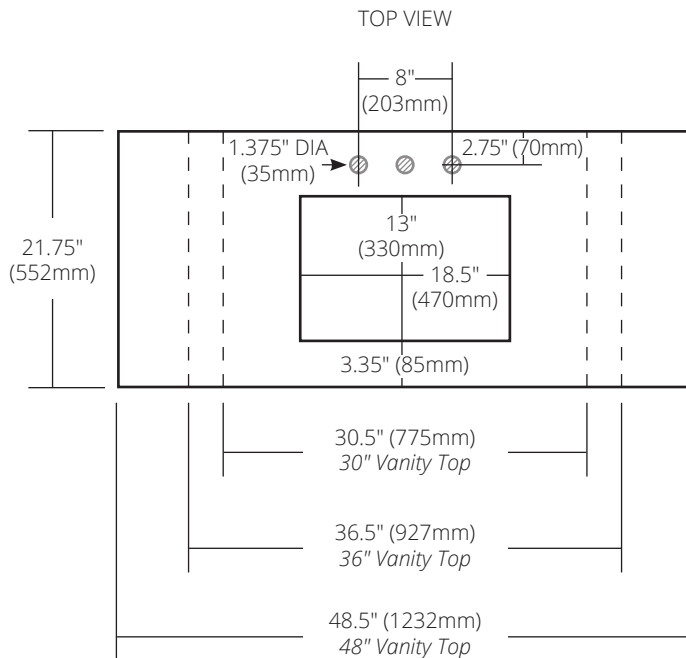
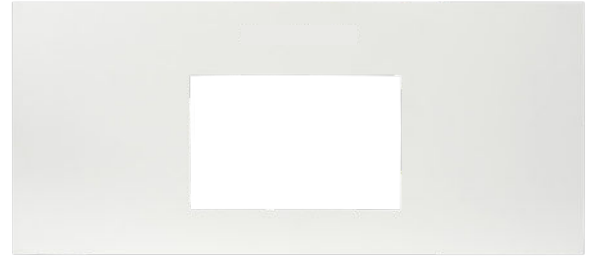


SPECIFICATIONS

NATIVESTONE® VANITY TOP

ALL SIZES - RECTANGLE 18 x 13 CUTOUT

NativeStone® Collection



30" Vanity Top

30.5"w x 21.75"d x 1.18"h (775mm x 552mm x 30mm)

VT30-R1813-A Ash
 VT30-R1813-C Charcoal
 VT30-R1813-D Sand
 VT30-R1813-E Earth
 VT30-R1813-P Pearl
 VT30-R1813-S Slate

36" Vanity Top

36.5"w x 21.75"d x 1.18"h (927mm x 552mm x 30mm)

VT36-R1813-A Ash
 VT36-R1813-C Charcoal
 VT36-R1813-D Sand
 VT36-R1813-E Earth
 VT36-R1813-P Pearl
 VT36-R1813-S Slate

48" Vanity Top

48.5"w x 21.75"d x 1.18"h (1232mm x 552mm x 30mm)

VT48-R1813-A Ash
 VT48-R1813-C Charcoal
 VT48-R1813-D Sand
 VT48-R1813-E Earth
 VT48-R1813-P Pearl
 VT48-R1813-S Slate

PRODUCT DETAILS

- Handcrafted from sustainable NativeStone
- Sealed with NativeStone Shield™

COORDINATING PRODUCTS

- Drains: DR120, DR130 or DR150
- Anacapa, Tatra

IMPORTANT

DO NOT use tape or other adhesives on NativeStone as it may remove the sealer.

Due to the handcrafted nature of this product, it will vary in finish, texture, and other details. Dimensions may vary up to ¼" (6mm).

Faucet Hole Configuration

- 0 No Faucet Hole
- 1 Single Faucet Hole
- 3 Three Faucet Holes

To identify Made to Order versus stocked vanity tops, please visit nativetrailshome.com/vanitytops or the Dealer Portal.