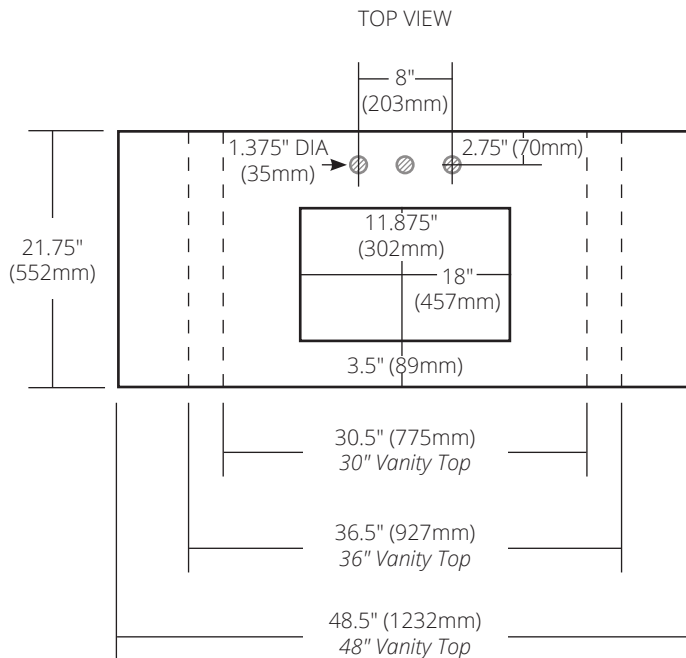
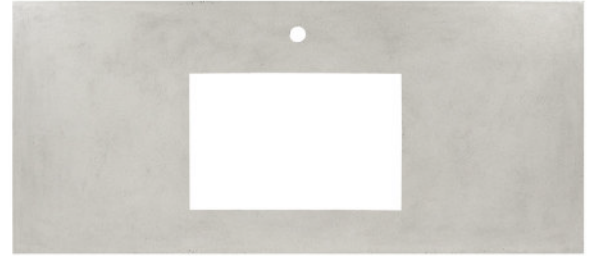


SPECIFICATIONS

NATIVESTONE® VANITY TOP

ALL SIZES - RECTANGLE 18 x 12 CUTOUT

NativeStone Collection



PRODUCT DETAILS

- Handcrafted from sustainable NativeStone
- Sealed with NativeStone Shield™

COORDINATING PRODUCTS

- Drains: DR120, DR130 or DR150
- Amara, Avila, Cabrillo, Hana or Montecito sinks

IMPORTANT

DO NOT use tape or other adhesives on NativeStone as it may remove the sealer.

Due to the handcrafted nature of this product, it will vary in finish, texture, and other details. Dimensions may vary up to ¼" (6mm).

30" Vanity Top

30.5"w x 21.75"d x 1.18"h (775mm x 552mm x 30mm)

- VT30-R1812-A Ash
- VT30-R1812-C Charcoal
- VT30-R1812-D Sand
- VT30-R1812-E Earth
- VT30-R1812-P Pearl
- VT30-R1812-S Slate

36" Vanity Top

36.5"w x 21.75"d x 1.18"h (927mm x 552mm x 30mm)

- VT36-R1812-A Ash
- VT36-R1812-C Charcoal
- VT36-R1812-D Sand
- VT36-R1812-E Earth
- VT36-R1812-P Pearl
- VT36-R1812-S Slate

48" Vanity Top

48.5"w x 21.75"d x 1.18"h (1232mm x 552mm x 30mm)

- VT48-R1812-A Ash
- VT48-R1812-C Charcoal
- VT48-R1812-D Sand
- VT48-R1812-E Earth
- VT48-R1812-P Pearl
- VT48-R1812-S Slate

Faucet Hole Configuration

- 0 No Faucet Hole
- 1 Single Faucet Hole
- 3 Three Faucet Holes

To identify Made to Order versus stocked vanity tops, please visit nativetrailshome.com/vanitytops or the Dealer Portal.