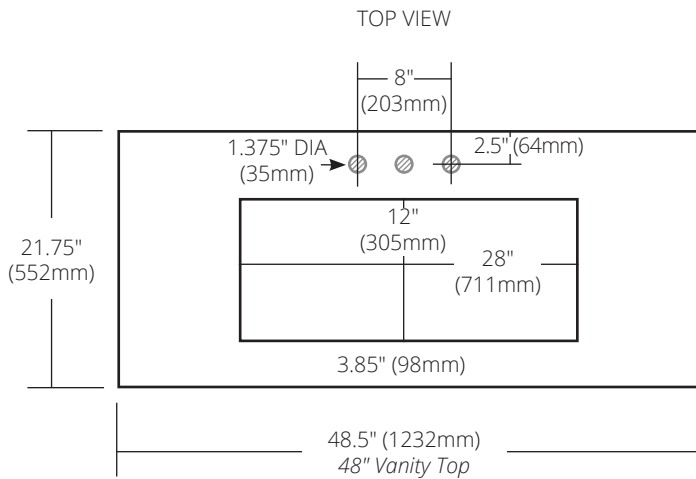


SPECIFICATIONS

NATIVESTONE® VANITY TOP

28 x 12 CUTOUT

NativeStone® Collection



48" Vanity Top

48.5"w x 21.75"d x 1.18"h (1232mm x 552mm x 30mm)

VT48-T2812-A Ash

VT48-T2812-C Charcoal

VT48-T2812-D Sand

VT48-T2812-E Earth

VT48-T2812-P Pearl

VT48-T2812-S Slate

Faucet Hole Configuration

- 0 No Faucet Hole
- 1 Single Faucet Hole
- 3 Three Faucet Holes

PRODUCT DETAILS

- Handcrafted from sustainable NativeStone
- Sealed with NativeStone Shield™

COORDINATING PRODUCTS

- Drains: DR120, DR130 or DR150
- Arcata 30, Trough 30

To identify Made to Order versus stocked vanity tops, please visit nativetrailshome.com/vanitytops or the Dealer Portal.

IMPORTANT

DO NOT use tape or other adhesives on NativeStone as it may remove the sealer.

Due to the handcrafted nature of this product, it will vary in finish, texture, and other details. Dimensions may vary up to ¼" (6mm).