

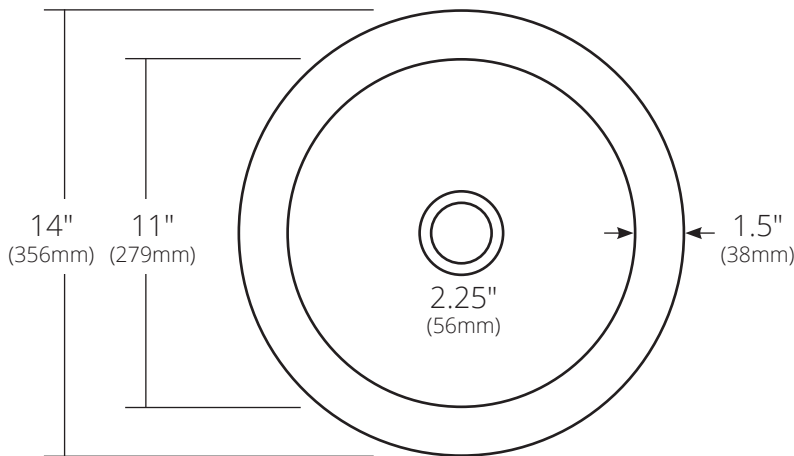
## SPECIFICATIONS

# MALIBU

NativeStone® Collection



TOP VIEW



NSB1407-A Ash  
 NSB1407-C Charcoal  
 NSB1407-D Sand  
 NSB1407-E Earth  
 NSB1407-P Pearl  
 NSB1407-S Slate

### PRODUCT DETAILS

- 14" x 7" OD (356mm x 178mm)
- 11" x 6.25" ID (279mm x 159mm)
- 2.25" (56mm) drain opening
- Handcrafted from sustainable NativeStone
- Sealed with NativeStone Shield™
- Weight: approx. 17lbs

### INSTALLATION

- Drop-In or Undermount

### COORDINATING PRODUCTS

- Drain: DR220
- UK1426 Undermount Kit

### STANDARDS COMPLIANCE

- UPC/cUPC compliant

### IMPORTANT

Do NOT use tape or other adhesives on NativeStone as it may remove the sealer.

Due to the handcrafted nature of this product, it will vary in finish, texture, and other details. Dimensions may vary up to 1/4" (6mm). We strongly recommend waiting for the actual product before making any installation cuts.

SIDE VIEW

