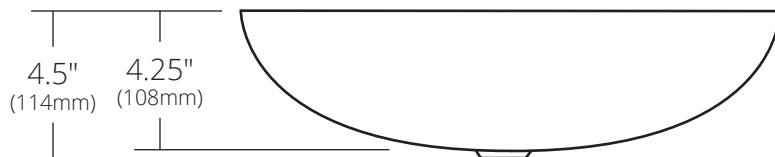
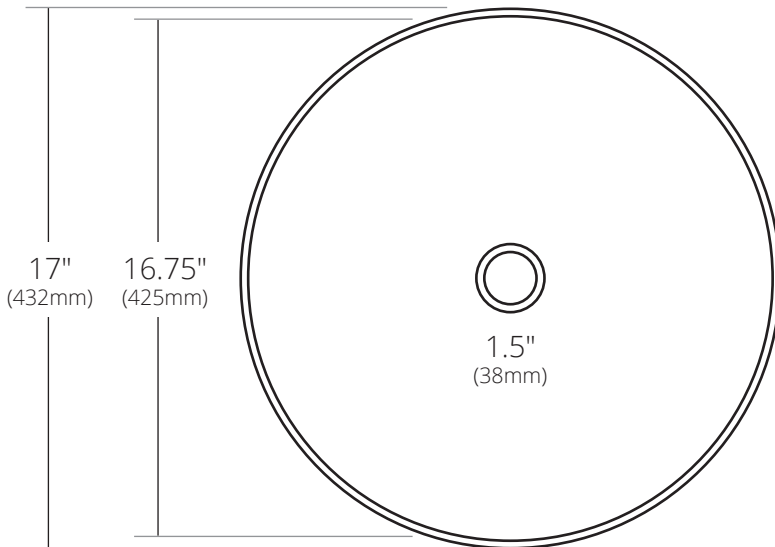


SPECIFICATIONS

**MAESTRO SONATA**

*Maestro Collection*



- CPS284 Antique
- CPS384 Tempered
- CPS484 Polished Copper
- CPS584 Brushed Nickel
- CPS884 Polished Nickel

**PRODUCT DETAILS**

- 17" x 4.5" OD (432mm x 114mm)
- 16.75" x 4.25" ID (425mm x 108mm)
- Hand hammered 15 gauge recycled copper
- 1.5" (38mm) drain opening

**INSTALLATION**

- Vessel

**COORDINATING PRODUCTS**

- Drains: DR120, DR130 or DR150

**STANDARDS COMPLIANCE**

- UPC/cUPC compliant
- **ADA**  **COMPLIANT**

**IMPORTANT**

Due to the handcrafted nature of this product, it will vary in finish, texture, hammering, and other details. Dimensions may vary up to 1/4" (6mm). We strongly recommend waiting for the actual product before making any installation cuts.