

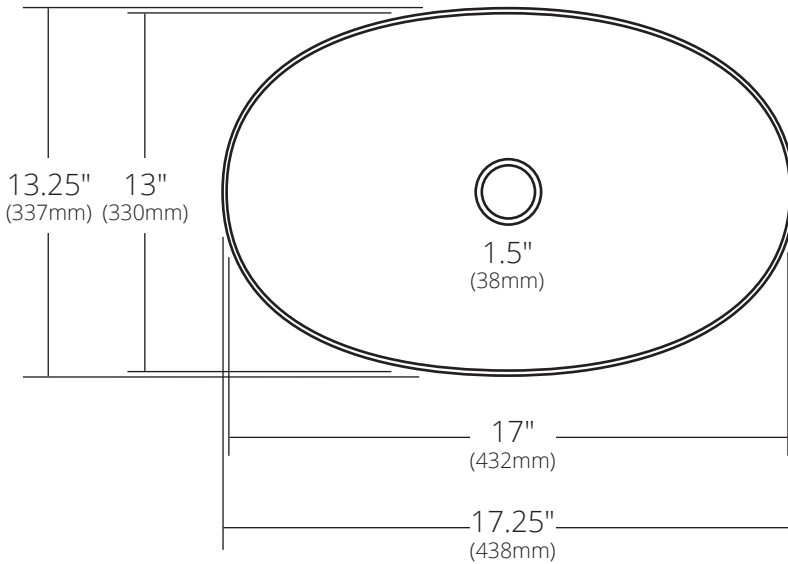
SPECIFICATIONS

MAESTRO OVAL

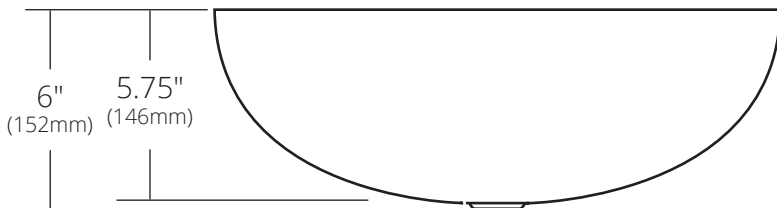
Maestro Collection



TOP VIEW



SIDE VIEW



CPS269 Antique
 CPS369 Tempered
 CPS569 Brushed Nickel

PRODUCT DETAILS

- 17.25" x 13.25" x 6" OD (438mm x 337mm x 152mm)
- 17" x 13" x 5.75" ID (432mm x 330mm x 146mm)
- Hand hammered 15 gauge recycled copper
- 1.5" (38mm) drain opening

INSTALLATION

- Vessel

COORDINATING PRODUCTS

- Drains : DR120, DR130, DR150 or DR160
- MetalProtect™

STANDARDS COMPLIANCE

- UPC/cUPC compliant

IMPORTANT

Due to the handcrafted nature of this product, it will vary in finish, texture, hammering, and other details. Dimensions may vary up to 1/4" (6mm). We strongly recommend waiting for the actual product before making any installation cuts.