

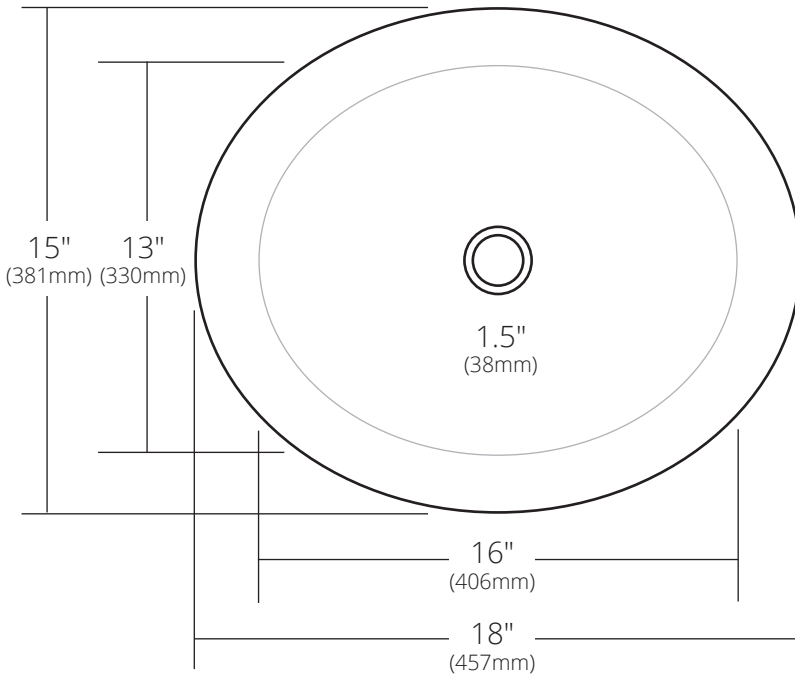
SPECIFICATIONS

MAESTRO LOTUS

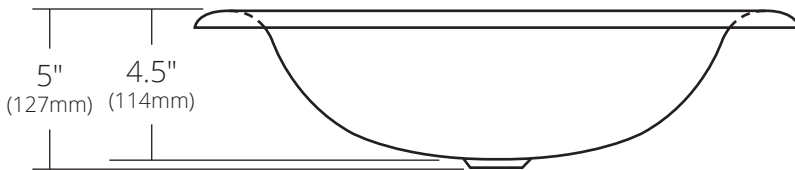
Maestro Collection



TOP VIEW



SIDE VIEW



CPS286 Antique
 CPS386 Tempered
 CPS586 Brushed Nickel

PRODUCT DETAILS

- 18" x 15" x 5" OD (457mm x 381mm x 127mm)
- 16" x 13" x 4.5" ID (406mm x 330mm x 114mm)
- Hand hammered 15 gauge recycled copper
- 1.5" (38mm) drain opening

INSTALLATION

- Drop-in

COORDINATING PRODUCTS

- Drains : DR120, DR130, DR150 or DR160
- MetalProtect™

STANDARDS COMPLIANCE

- UPC/cUPC compliant

IMPORTANT

Due to the handcrafted nature of this product, it will vary in finish, texture, hammering, and other details. Dimensions may vary up to ¼" (6mm). We strongly recommend waiting for the actual product before making any installation cuts.