

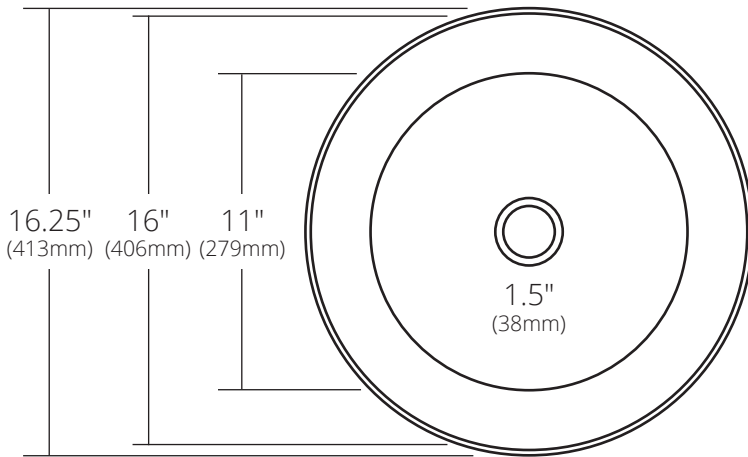
SPECIFICATIONS

**MAESTRO BAJO**

Maestro Collection



TOP VIEW



CPS271 Antique  
 CPS371 Tempered  
 CPS571 Brushed Nickel

**PRODUCT DETAILS**

- 16.25" x 4.75" OD (413mm x 121mm)
- 16" x 4.5" ID (406mm x 114mm)
- Hand hammered 15 gauge recycled copper
- 1.5" (38mm) drain opening

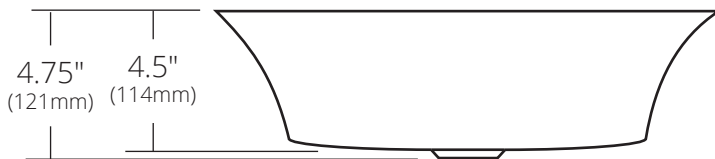
**INSTALLATION**

- Vessel

**COORDINATING PRODUCTS**

- Drains : DR120, DR130, DR150 or DR160
- MetalProtect™

SIDE VIEW



**STANDARDS COMPLIANCE**

- UPC/cUPC compliant

**IMPORTANT**

Due to the handcrafted nature of this product, it will vary in finish, texture, hammering, and other details. Dimensions may vary up to 1/4" (6mm). We strongly recommend waiting for the actual product before making any installation cuts.