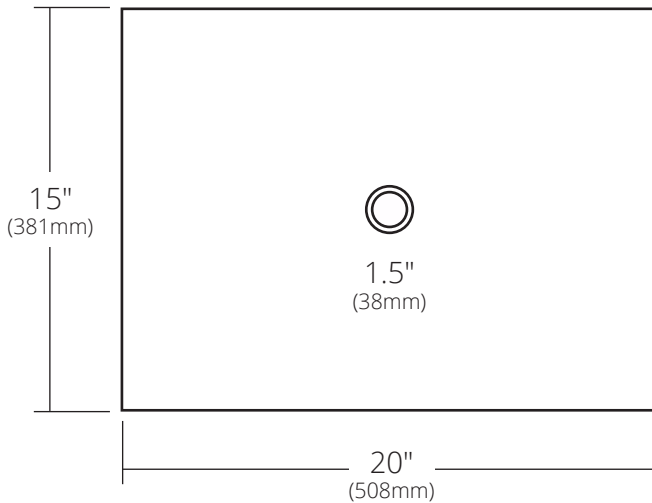


SPECIFICATIONS

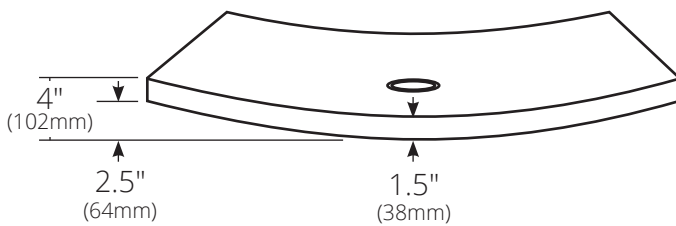
**KOHANI**



TOP VIEW



SIDE VIEW



CPS257 Antique  
CPS557 Brushed Nickel

**PRODUCT DETAILS**

- 20" x 15" x 4" OD (508mm x 381mm x 102mm)
- 20" x 15" x 3.5" ID (508mm x 381mm x 89mm)
- Hand hammered 16 gauge recycled copper
- 1.5" (38mm) drain opening

**INSTALLATION**

- Vessel

**COORDINATING PRODUCTS**

- Drains : DR120, DR130, DR150 or DR160
- MetalProtect™

**STANDARDS COMPLIANCE**

- UPC/cUPC compliant

**IMPORTANT**

Due to the handcrafted nature of this product, it will vary in finish, texture, hammering, and other details. Dimensions may vary up to 1/4" (6mm). We strongly recommend waiting for the actual product before making any installation cuts.