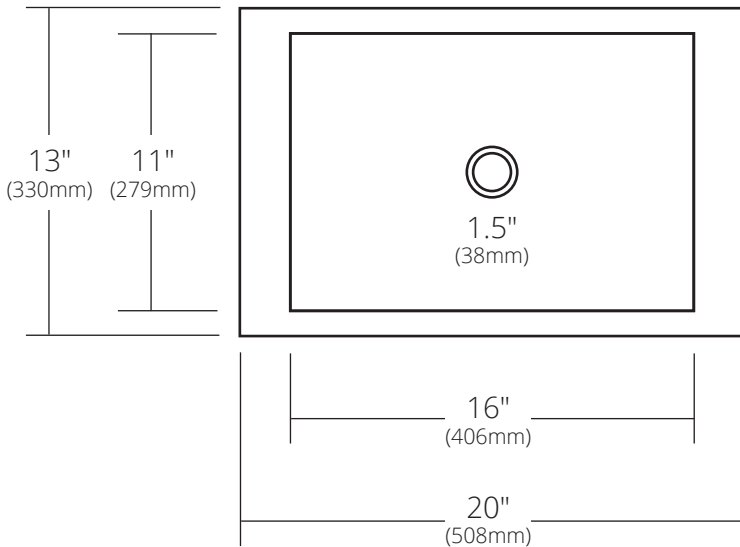


SPECIFICATIONS

**HANA**



TOP VIEW



CPS242 Antique  
CPS542 Brushed Nickel

**PRODUCT DETAILS**

- 20" x 13" x 5" OD (508mm x 330mm x 127mm)
- 16" x 11" x 4.5" ID (406mm x 279mm x 114mm)
- Hand hammered 16 gauge recycled copper
- 1.5" (38mm) drain opening

**INSTALLATION**

- Drop-in

**COORDINATING PRODUCTS**

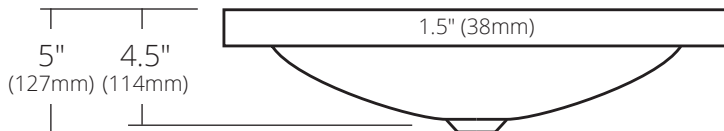
- Drains : DR120, DR130, DR150 or DR160
- MetalProtect™

**STANDARDS COMPLIANCE**

- UPC/cUPC compliant

• **ADA**  COMPLIANT

SIDE VIEW



**IMPORTANT**

Due to the handcrafted nature of this product, it will vary in finish, texture, hammering, and other details. Dimensions may vary up to 1/4" (6mm). We strongly recommend waiting for the actual product before making any installation cuts.