

*SPECIFICATIONS*

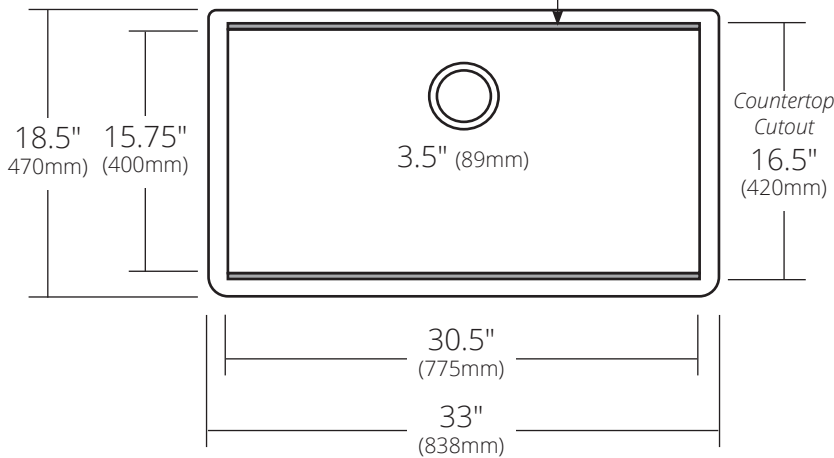
**FARMHOUSE CONCIERGE 33**

*Concierge Collection / Copper Collection*

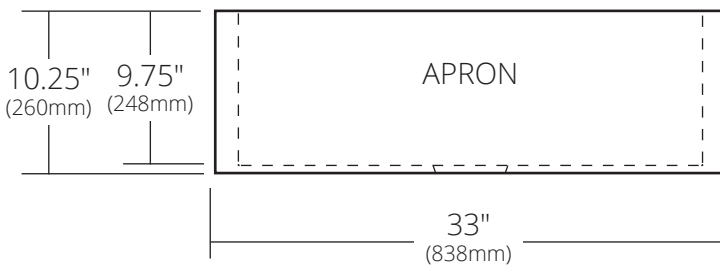


TOP VIEW

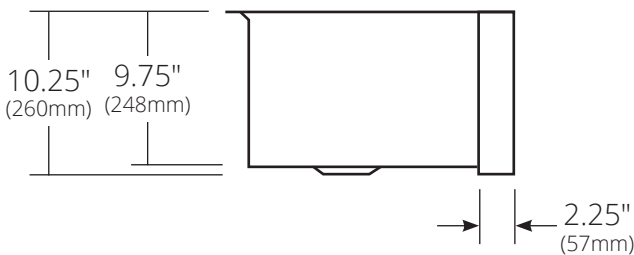
Angled ledge should be exposed;  
do not cover with countertop



FRONT VIEW



SIDE VIEW



CPKG273 Antique  
CPKG573 Brushed Nickel

**PRODUCT DETAILS**

- 33" x 18.5" x 10.25" OD (838mm x 470mm x 260mm)
- 30.5" x 15.75" x 9.75" ID (775mm x 400mm x 248mm)
- Hand hammered 16 gauge recycled copper
- Apron extends 3" (76mm) on sides
- 3.5" (89mm) drain opening

**INSTALLATION**

- Apron Front
- Install flush mount (or positive reveal)
- **IMPORTANT:** Install with the angled ledge exposed for accessory use
- Cutout is approx. 31" x 16.5", but as with any handmade sink, wait for actual product before cutting countertop

**COORDINATING PRODUCTS**

- Drains: DR320 or DR340
- Bottom Grid: GRR2914
- Concierge Accessories: Cutting Board (*included*), Colander (GCL1607), Drying Rack (GDR1610)
- UK2547 Undermount Kit

**STANDARDS COMPLIANCE**

- UPC/cUPC compliant

**IMPORTANT**

Due to the handcrafted nature of this product, it will vary in finish, texture, hammering, and other details. Dimensions may vary up to 1/4" (6mm). We strongly recommend waiting for the actual product before making any installation cuts. Native Trails is not responsible for improper sink or countertop installations.