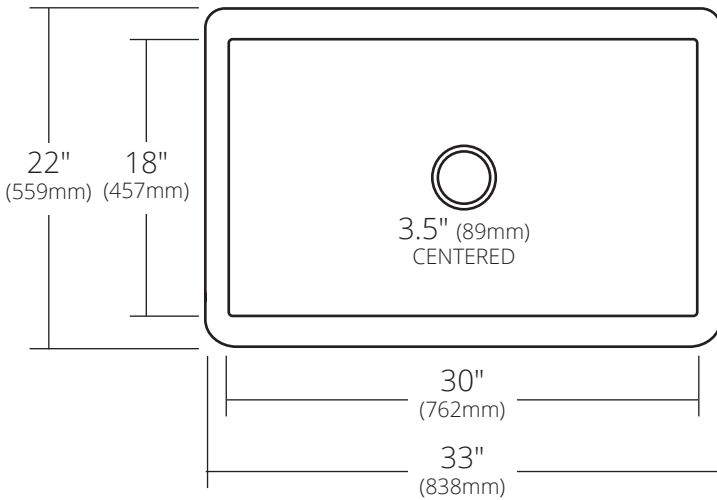


SPECIFICATIONS

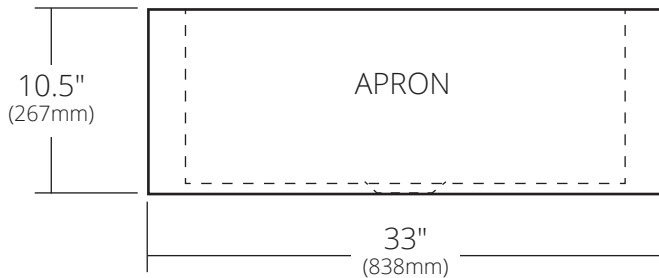
**FARMHOUSE 33**

Farmhouse Series

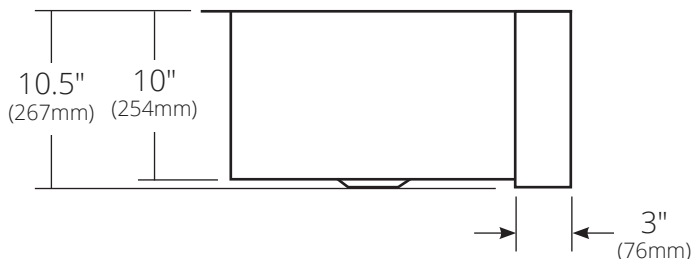
TOP VIEW



FRONT VIEW



SIDE VIEW



CPK273 Antique  
CPK573 Brushed Nickel

**PRODUCT DETAILS**

- 33" x 22" x 10.5" OD (838mm x 559mm x 267mm)
- 30" x 18" x 10" ID (762mm x 457mm x 254mm)
- Hand hammered 16 gauge recycled copper
- Apron extends 3" (76mm) on sides
- 3.5" (89mm) drain opening

**INSTALLATION**

- Undermount

**COORDINATING PRODUCTS**

- Drains: DR320 or DR340
- Bottom Grid: GR2917
- MetalProtect™

**STANDARDS COMPLIANCE**

- UPC/cUPC compliant

**IMPORTANT**

Due to the handcrafted nature of this product, it will vary in finish, texture, hammering, and other details. Dimensions may vary up to ¼" (6mm). We strongly recommend waiting for the actual product before making any installation cuts.