

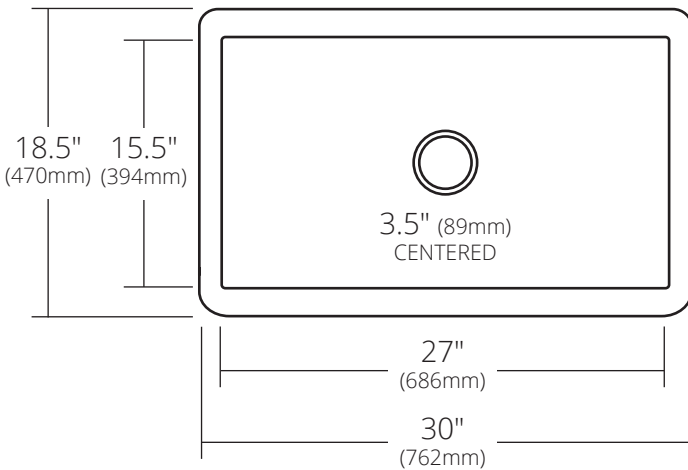
SPECIFICATIONS

FARMHOUSE 30

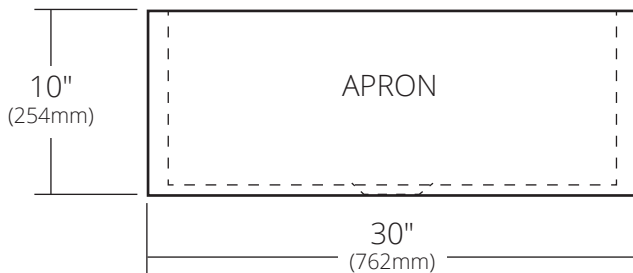
Farmhouse Series



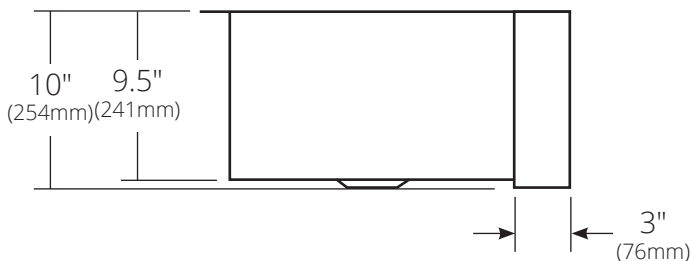
TOP VIEW



FRONT VIEW



SIDE VIEW



- CPK294 Antique
- CPK594 Brushed Nickel
- CPK494 Polished Copper
- CPK894 Polished Nickel

PRODUCT DETAILS

- 30" x 18.5" x 10" OD (762mm x 470mm x 254mm)
- 27" x 15.5" x 9.5" ID (686mm x 394mm x 241mm)
- Hand hammered 16 gauge recycled copper
- Apron extends 3" (76mm) on sides
- 3.5" (89mm) drain opening

INSTALLATION

- Undermount

COORDINATING PRODUCTS

- Drains: DR320 or DR340
- Bottom Grid: GR2614
- MetalProtect® for polished finishes

STANDARDS COMPLIANCE

- UPC/cUPC compliant

IMPORTANT

Due to the handcrafted nature of this product, it will vary in finish, texture, hammering, and other details. Dimensions may vary up to 1/4" (6mm). We strongly recommend waiting for the actual product before making any installation cuts.