

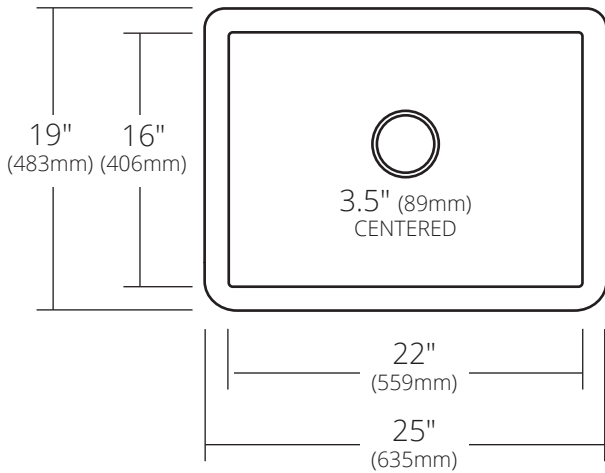
SPECIFICATIONS

FARMHOUSE 25

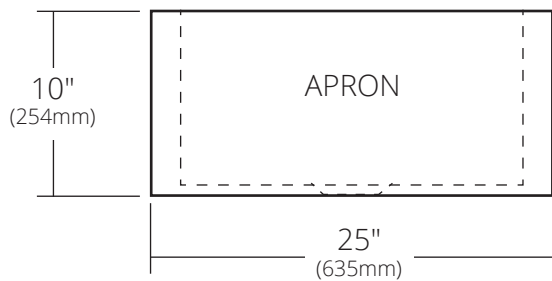
Farmhouse Series



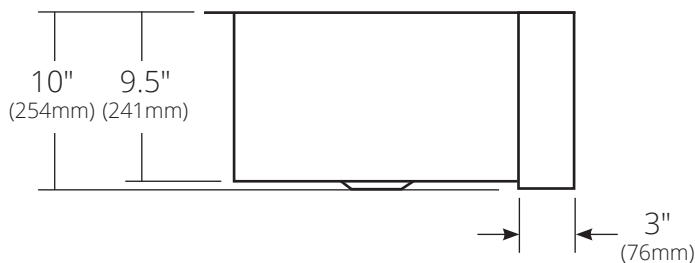
TOP VIEW



FRONT VIEW



SIDE VIEW



CPK270 Antique
CPK570 Brushed Nickel

PRODUCT DETAILS

- 25" x 19" x 10" OD (635mm x 483mm x 254mm)
- 22" x 16" x 9.5" ID (559mm x 406mm x 241mm)
- Hand hammered 16 gauge recycled copper
- Apron extends 3" (76mm) on sides
- 3.5" (89mm) drain opening

INSTALLATION

- Undermount

COORDINATING PRODUCTS

- Drains: DR320 or DR340
- Bottom Grid: GRD2014

STANDARDS COMPLIANCE

- UPC/cUPC compliant

IMPORTANT

Due to the handcrafted nature of this product, it will vary in finish, texture, hammering, and other details. Dimensions may vary up to 1/4" (6mm). We strongly recommend waiting for the actual product before making any installation cuts.