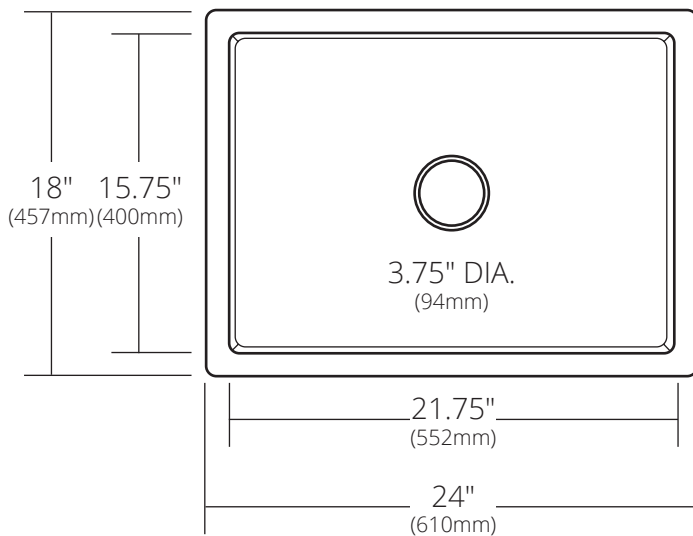


## SPECIFICATIONS

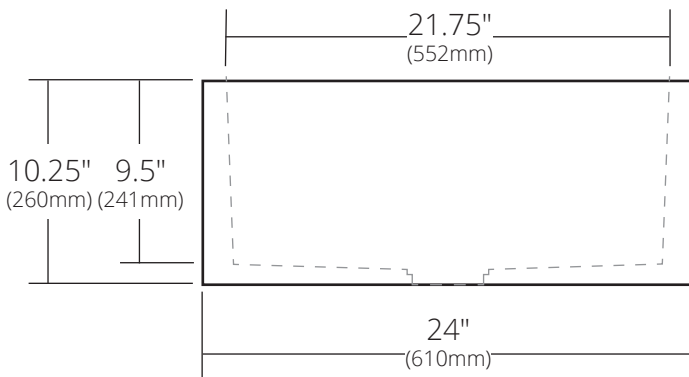
# FARMHOUSE 2418

NativeStone® Collection

### TOP VIEW



### FRONT VIEW



NSK2418-A Ash  
 NSK2418-C Charcoal  
 NSK2418-D Sand  
 NSK2418-E Earth  
 NSK2418-P Pearl  
 NSK2418-S Slate

### PRODUCT DETAILS

- 24" x 18" x 10.25" OD (610mm x 457mm x 260mm)
- 21.75" x 15.75" x 9.5" ID (552mm x 400mm x 241mm)
- 3.75" (94mm) drain opening
- Handcrafted from sustainable NativeStone
- Sealed with NativeStone Shield™
- Weight: approx. 78lbs

### INSTALLATION

- Undermount or Apron Front

### COORDINATING PRODUCTS

- Drains: DR320 or DR340
- Bottom Grid: GR2014
- UK1426 Undermount Kit

### STANDARDS COMPLIANCE

- UPC/cUPC compliant

### IMPORTANT

Do NOT use tape or other adhesives on NativeStone as it may remove the sealer.

Due to the handcrafted nature of this product, it will vary in finish, texture, and other details. Dimensions may vary up to ¼" (6mm). We strongly recommend waiting for the actual product before making any installation cuts.