

## SPECIFICATIONS

# DREAMER CONCIERGE 33

ConciERGE Collection / Fireclay Collection



FRKG3318-W

### PRODUCT DETAILS

- 33" x 17.75" x 10.25" OD (838mm x 451mm x 260mm)
- 31" x 15.75" x 9.25" ID (787mm x 400mm x 233mm)
- 3.75" (94mm) drain opening
- Italian Fireclay

### INSTALLATION

- Apron Front
- Install flush mount (or positive reveal)
- **IMPORTANT:** Install with the angled ledge exposed for accessory use
- Cutout is approx. 31" x 16.5", but as with any handmade sink, wait for actual product before cutting countertop

### COORDINATING PRODUCTS

- Drains: DR320 or DR340  
*(extended flange not required)*
- Bottom Grid: GRR2914
- UK2547 Undermount Kit
- ConciERGE Accessories: Cutting Board *(included)*, Colander (GCL1607), Drying Rack (GDR1610)

### STANDARDS COMPLIANCE

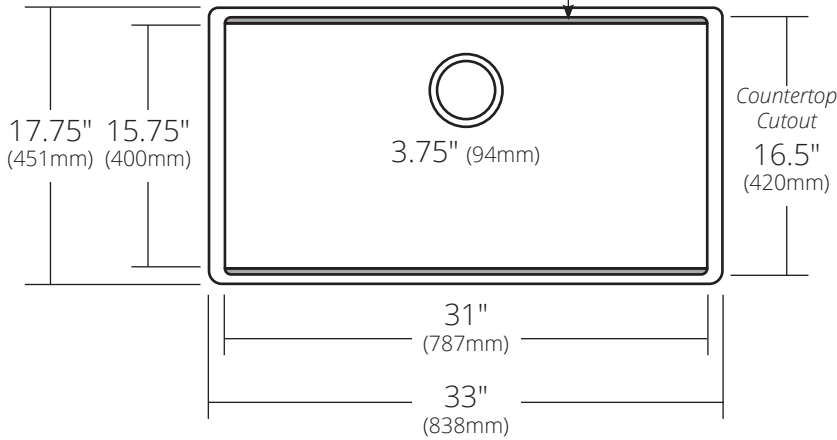
- UPC/cUPC compliant

### IMPORTANT

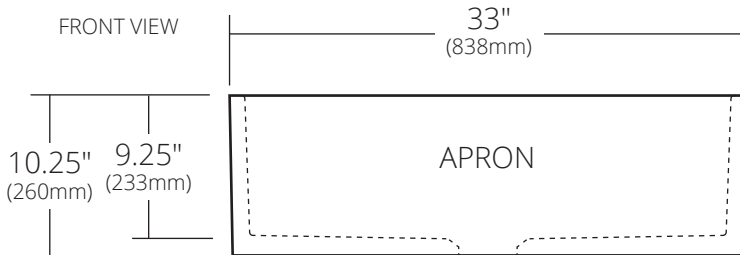
Due to the handcrafted nature of this product, dimensions may vary up to 1/2" (13mm). We strongly recommend waiting for the actual product before making any installation cuts. Native Trails is not responsible for improper sink or countertop installations.

TOP VIEW

Angled ledge should be exposed;  
do not cover with countertop



FRONT VIEW



SIDE VIEW

