

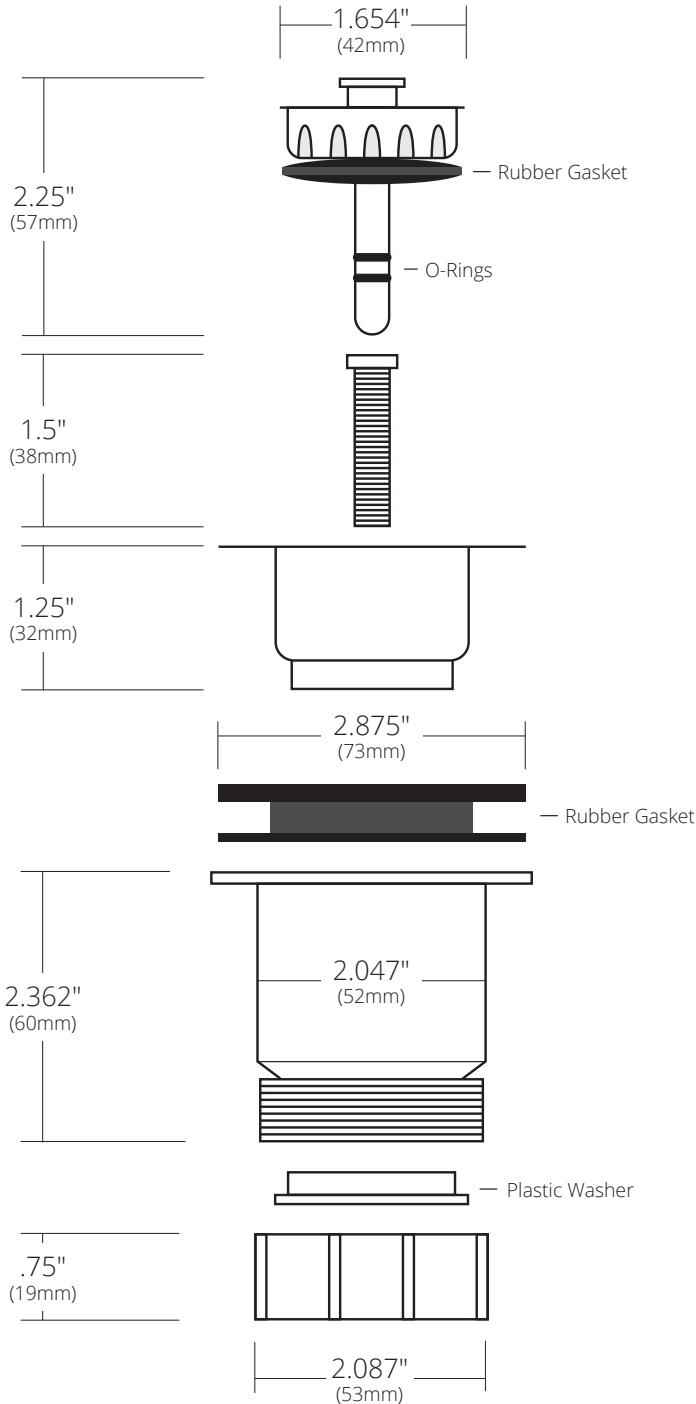
SPECIFICATIONS

# 2" JR STRAINER

Bar & Prep



*Shown in Brushed Nickel*



- DR220-BN Brushed Nickel
- DR220-ORB Oil Rubbed Bronze
- DR220-MB Matte Black

**PRODUCT DETAILS**

- Fits 2" (51mm) drain opening
- Overall length when assembled is 2.75" (70mm)
- Features center post with double o-ring construction for tight seal and durability

**COORDINATING PRODUCTS**

- Any bar sink with 2" (51mm) drain opening