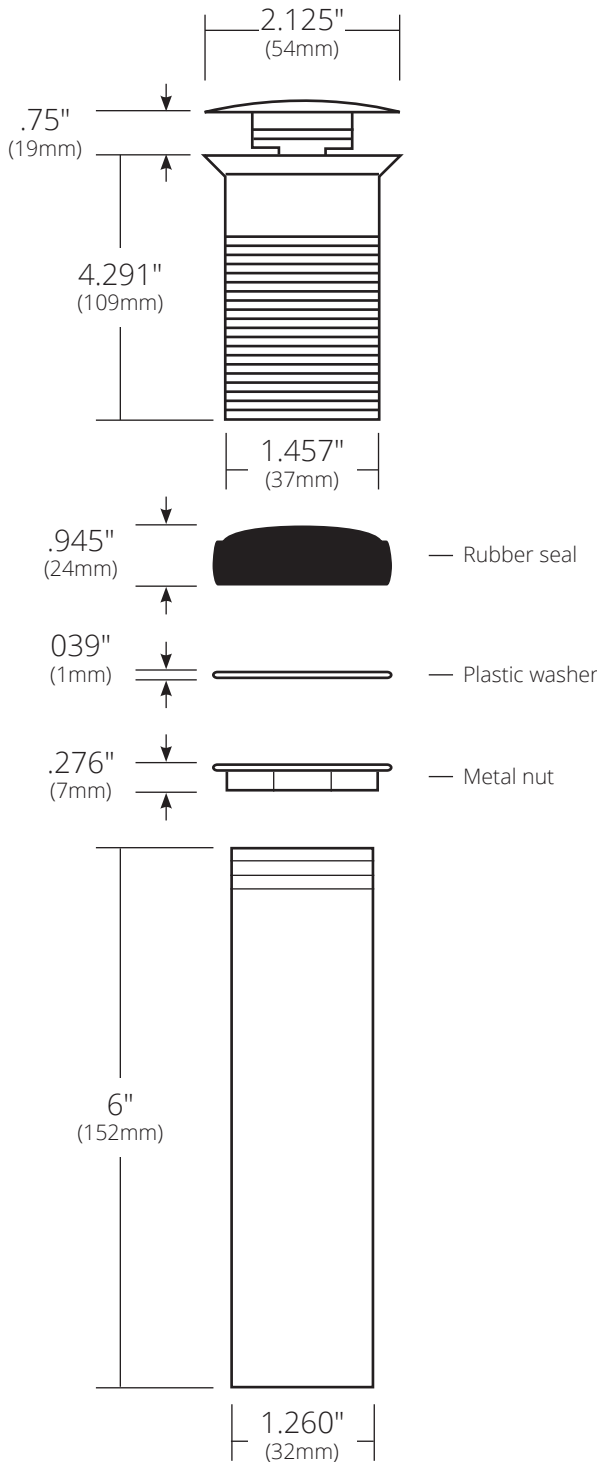


SPECIFICATIONS

1.5" PUSH TO SEAL DOME DRAIN

Lavatory



- DR130-BN Brushed Gold
- DR130-BN Brushed Nickel
- DR130-CH Chrome
- DR130-MB Matte Black
- DR130-ORB Oil Rubbed Bronze
- DR130-PN Polished Nickel
- DR130-WC Weathered Copper

PRODUCT DETAILS

- Fits 1.5" (38mm) drain opening
- Easy operation – push to seal and simply push again to release
- Compression seal closes drain completely for excellent performance
- Elegantly covers entire drain area of basin while also providing for superior water flow
- Maximum threading for easy installation
- All exposed parts are plated
- Overall length when assembled is 9.25" (235mm)
- UPC/cUPC compliant

COORDINATING PRODUCTS

- Lavatory basin with 1.5" (38mm) drain opening