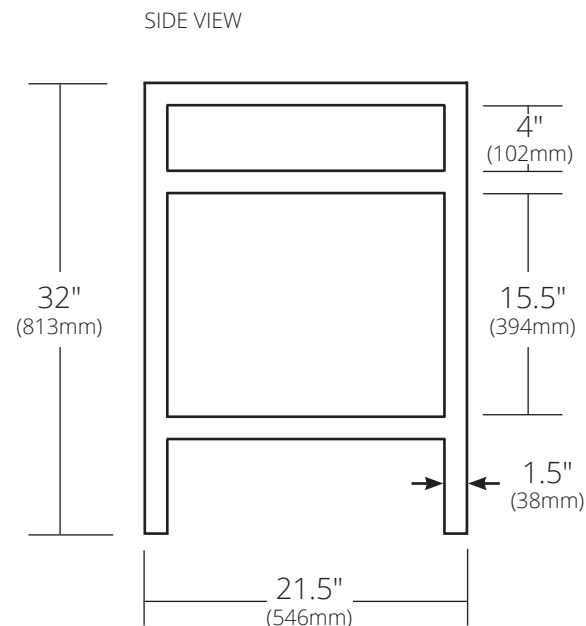
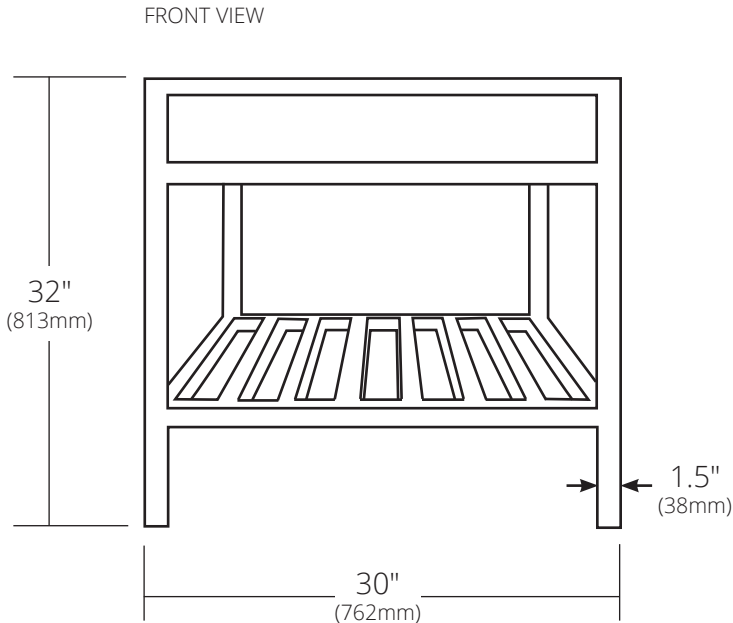


SPECIFICATIONS

**30" CUZCO VANITY**

*Cuzco Collection*



VNR302 Antique  
 VNR305 Brushed Nickel  
 VNR306 Carrara

**PRODUCT DETAILS**

- 30"w x 21.5"d x 32"h (762mm x 546mm x 813mm)
- Handcrafted, powder-coated steel frame with hand-hammered recycled copper or Carrara marble panels

**INSTALLATION**

- Freestanding vanity base

**COORDINATING PRODUCTS**

- Any Native Trails stone or quartz vanity top
- Decorative bottle trap
- Havana, Cuzco or Asana Mirror
- Cuzco Linen Tower
- Any Native Trails lavatory sink less than 30" (762mm)

**IMPORTANT**

Due to the handcrafted nature of this product, it will vary in finish, texture, and other details. Dimensions may vary up to 1/4" (6mm).