

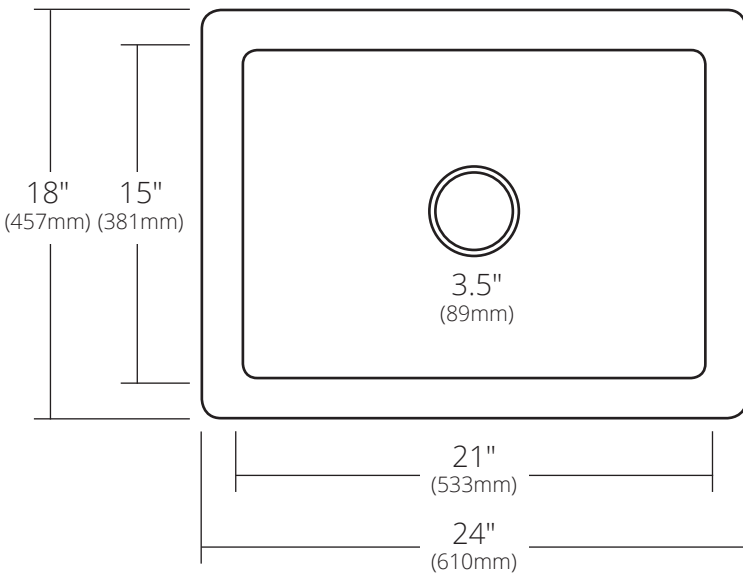
SPECIFICATIONS

COCINA 24

Cocina Series



TOP VIEW



SIDE VIEW



CPK279 Antique
CPK579 Brushed Nickel

PRODUCT DETAILS

- 24" x 18" x 10.5" OD (610mm x 457mm x 267mm)
- 21" x 15" x 10" ID (533mm x 381mm x 254mm)
- Hand hammered 16 gauge recycled copper
- 3.5" (89mm) drain opening

INSTALLATION

- Undermount

COORDINATING PRODUCTS

- Drains: DR320 or DR340
- Bottom Grid: GR2014
- MetalProtect™

STANDARDS COMPLIANCE

- UPC/cUPC compliant

IMPORTANT

Due to the handcrafted nature of this product, it will vary in finish, texture, hammering, and other details. Dimensions may vary up to 1/4" (6mm). We strongly recommend waiting for the actual product before making any installation cuts.