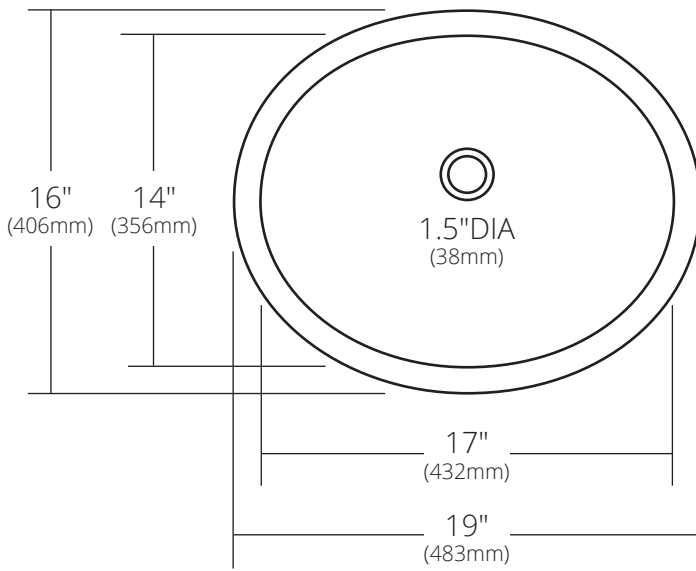


SPECIFICATIONS

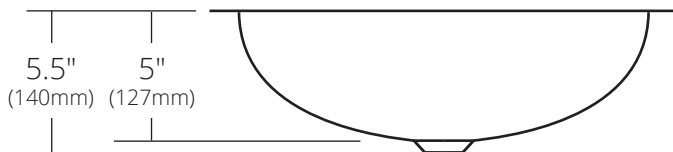
**CLASSIC**



TOP VIEW



SIDE VIEW



- CPS268 Antique
- CPS568 Brushed Nickel
- CPS468 Polished Copper
- CPS868 Polished Nickel

**PRODUCT DETAILS**

- 19" x 16" x 5.5" OD (483mm x 406mm x 140mm)
- 17" x 14" x 5" ID (432mm x 356mm x 127mm)
- Hand hammered 18 gauge recycled copper
- 1.5" (38mm) drain opening

**INSTALLATION**

- Undermount

**COORDINATING PRODUCTS**

- Drains : DR120, DR130, DR150 or DR160
- MetalProtect™

**STANDARDS COMPLIANCE**

- UPC/cUPC compliant
- **ADA** COMPLIANT

**IMPORTANT**

Due to the handcrafted nature of this product, it will vary in finish, texture, hammering, and other details. Dimensions may vary up to 1/4" (6mm). We strongly recommend waiting for the actual product before making any installation cuts.