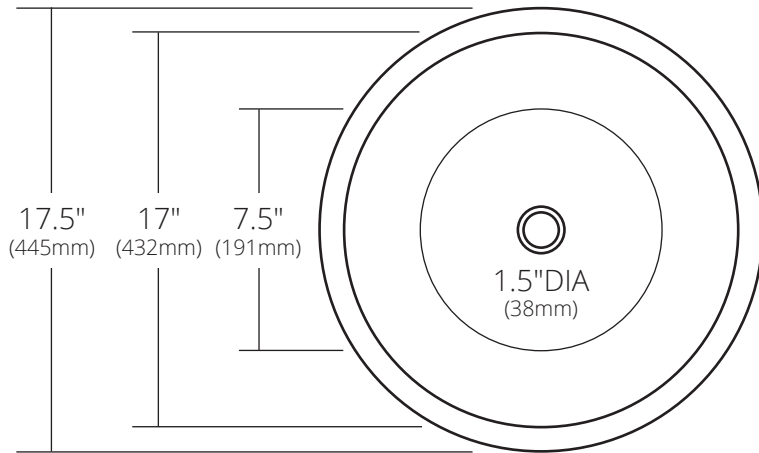


*SPECIFICATIONS*

**CAZO**



TOP VIEW



CPS258 Antique  
CPS558 Brushed Nickel

**PRODUCT DETAILS**

- 17.5" x 8.5" OD (445mm x 216mm)
- 17" x 8" ID (432mm x 203mm)
- Hand hammered 16 gauge recycled copper
- 1.5" (38mm) drain opening

**INSTALLATION**

- Drop-in or Vessel

**COORDINATING PRODUCTS**

- Drains : DR120, DR130, DR150 or DR160
- MetalProtect™

**STANDARDS COMPLIANCE**

- UPC/cUPC compliant

**IMPORTANT**

Due to the handcrafted nature of this product, it will vary in finish, texture, hammering, and other details. Dimensions may vary up to 1/4" (6mm). We strongly recommend waiting for the actual product before making any installation cuts.

SIDE VIEW

