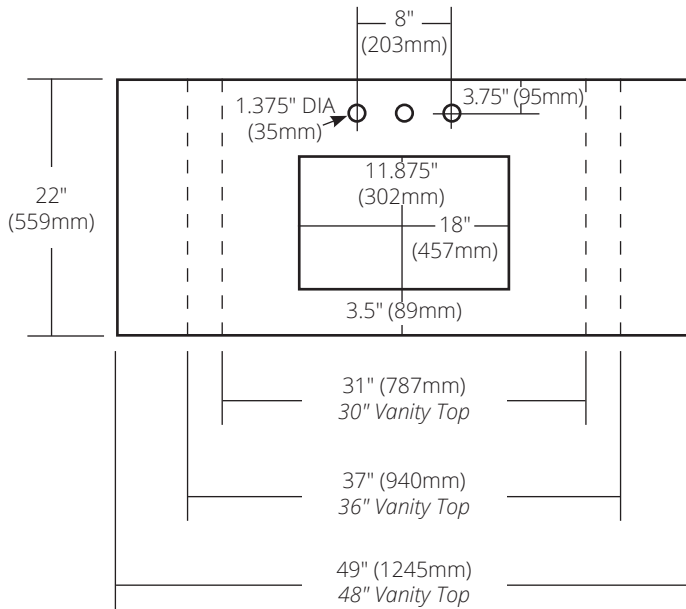


SPECIFICATIONS

**CARRARA MARBLE VANITY TOP**  
ALL SIZES - RECTANGLE WITH 8" WIDESPREAD CUTOUT



TOP VIEW



**30" Vanity Top**

31"w x 22"d x .75"h (787mm x 559mm x 19mm)  
VNT30-CR

**36" Vanity Top**

36"w x 22"d x .75"h (940mm x 559mm x 19mm)  
VNT36-CR

**48" Vanity Top**

49"w x 22"d x .75"h (1245mm x 559mm x 19mm)  
VNT48-CR

**PRODUCT DETAILS**

- Lightly polished Italian marble
- Pre-drilled 8" for widespread faucet

**COORDINATING PRODUCTS**

- Amara, Avila, Cabrillo or Hana sinks
- Drains: DR120, DR130 or DR150

**IMPORTANT**

Due to the handcrafted nature of this product, it will vary in finish, texture, and other details. Dimensions may vary up to 1/4" (6mm).