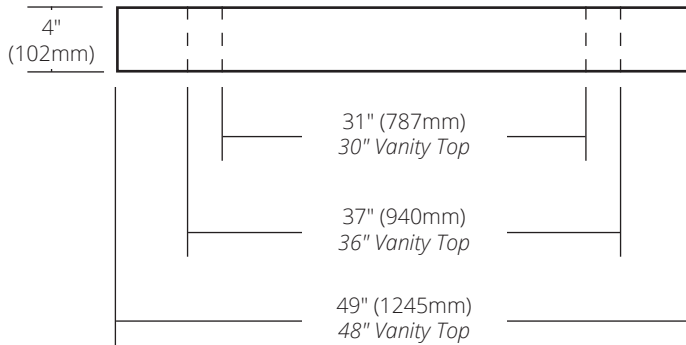


SPECIFICATIONS

CARRARA BACKSPLASH



FRONT VIEW



30" Backsplash

31"w x 4"h x .75"d (787mm x 102mm x 19mm)

VNTB306

36" Backsplash

37"w x 4"h x .75"d (940mm x 102mm x 19mm)

VNTB366

48" Backsplash

49"w x 4"h x .75"d (1245mm x 102mm x 19mm)

VNTB486

PRODUCT DETAILS

- Lightly polished Italian marble

COORDINATING PRODUCTS

- Carrara Marble Vanity Top

IMPORTANT

Due to the handcrafted nature of this product, it will vary in finish, texture, and other details. Dimensions may vary up to 1/4" (6mm).