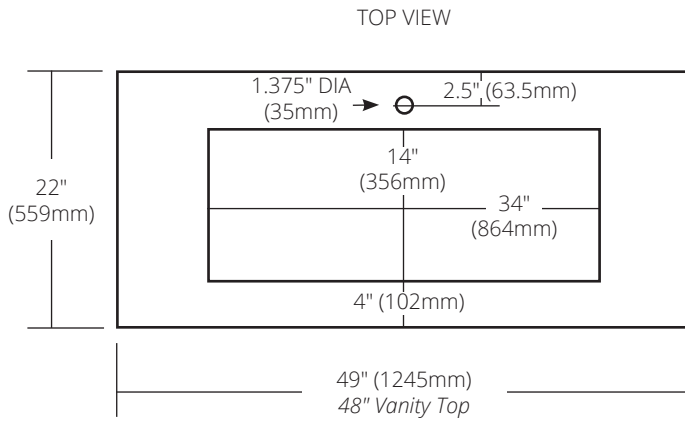
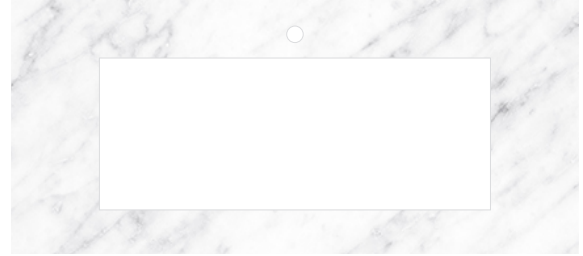


SPECIFICATIONS

CARRARA MARBLE VANITY TOP
TROUGH CUTOUT WITH SINGLE FAUCET HOLE



48" Vanity Top

49"w x 22"d x .75"h (1245mm x 559mm x 19mm)

VNT48-CT

PRODUCT DETAILS

- Lightly polished Italian marble
- Pre-drilled with single faucet hole; also works for Trough 3619 without faucet hole (pre-drilled hole is covered by sink)

COORDINATING PRODUCTS

- Trough 3619 sink
- Drains: DR120, DR130 or DR150

IMPORTANT

Due to the handcrafted nature of this product, it will vary in finish, texture, and other details. Dimensions may vary up to 1/4" (6mm).