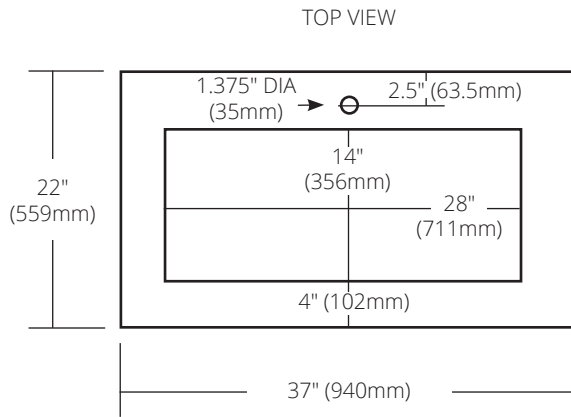
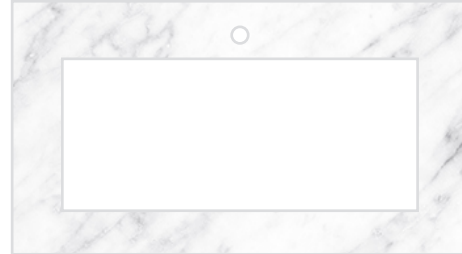


SPECIFICATIONS

CARRARA MARBLE VANITY TOP
SMALL TROUGH CUTOUT WITH SINGLE FAUCET HOLE



36" Vanity Top

VNT36-CT

PRODUCT DETAILS

- 37" w x 22" d x .75" h (940mm x 559mm x 19mm)
- Lightly polished Italian marble
- Pre-drilled with single faucet hole; also works for Trough 3019 without faucet hole (pre-drilled hole is covered by sink)

COORDINATING PRODUCTS

- Trough 3019 sink
- Drains: DR120, DR130 or DR150

IMPORTANT

Due to the handcrafted nature of this product, it will vary in finish, texture, and other details. Dimensions may vary up to 1/4" (6mm).