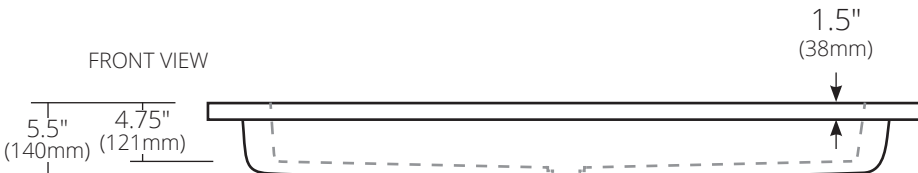
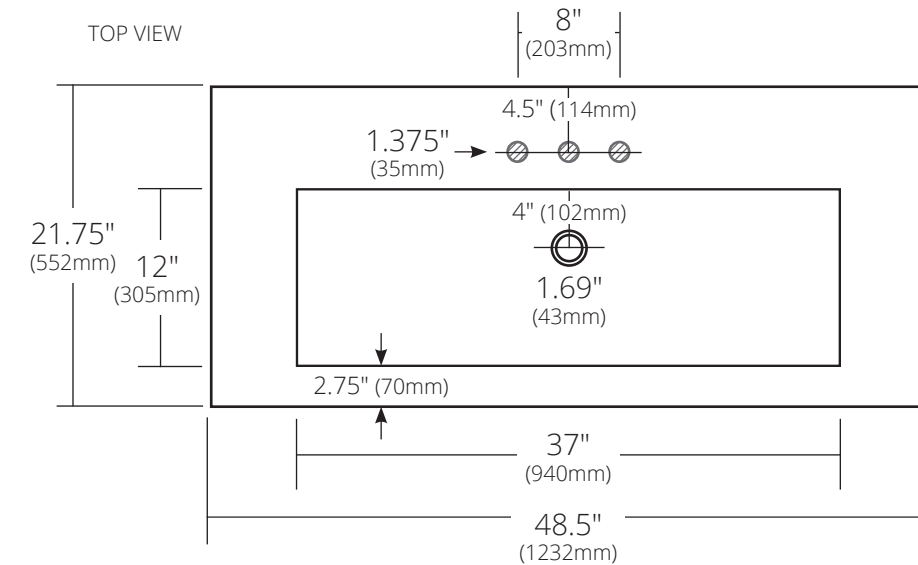


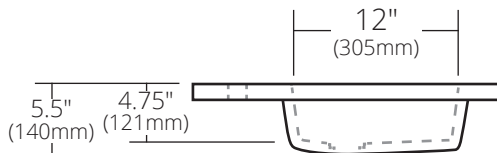
SPECIFICATIONS

48" CAPISTRANO VANITY TOP

NativeStone® Collection



SIDE VIEW



8" Faucet Spread

NSVT48-A Ash
NSVT48-C Charcoal
NSVT48-D Sand
NSVT48-E Earth
NSVT48-P Pearl
NSVT48-S Slate



Single Faucet Hole

NSVT48-A1 Ash
NSVT48-C1 Charcoal
NSVT48-D1 Sand
NSVT48-E1 Earth
NSVT48-P1 Pearl
NSVT48-S1 Slate

*All Made to Order

PRODUCT DETAILS

- 48.5" x 21.75" x 5.5" OD (1232mm x 552mm x 140mm)
- Basin 37" x 12" x 4.75" (940mm x 305mm x 121mm)
- 1.69" (43mm) drain opening for a 1.5" drain
- Pre-drilled for 8" (203mm) faucet spread or single faucet hole
- Handcrafted from sustainable NativeStone
- Sealed with NativeStone Shield™
- Weight: approx. 95lbs

COORDINATING PRODUCTS

- Drains: DR120, DR130 or DR150

STANDARDS COMPLIANCE

- UPC/cUPC compliant
- **ADA COMPLIANT**

IMPORTANT

Do NOT use tape or other adhesives on NativeStone as it may remove the sealer.

Due to the handcrafted nature of this product, it will vary in finish, texture, and other details. Dimensions may vary up to 1/4" (6mm).