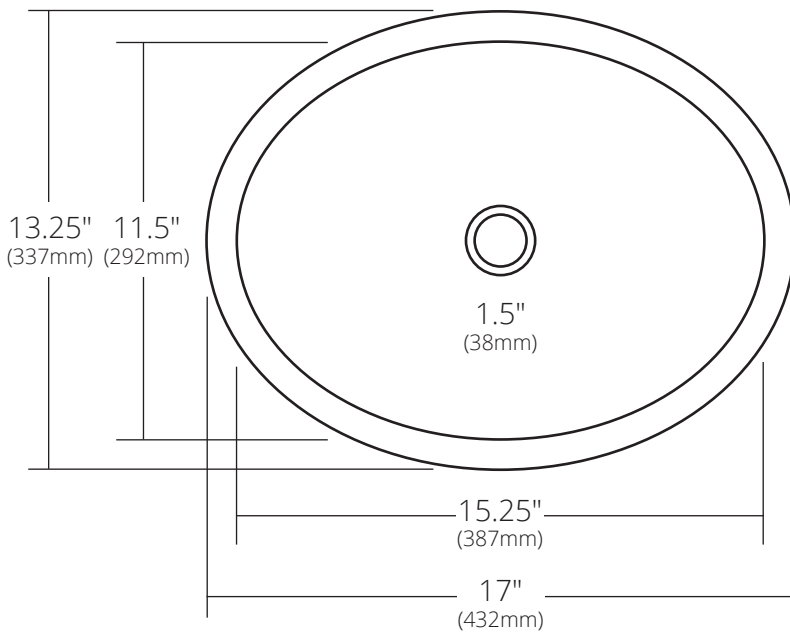


SPECIFICATIONS

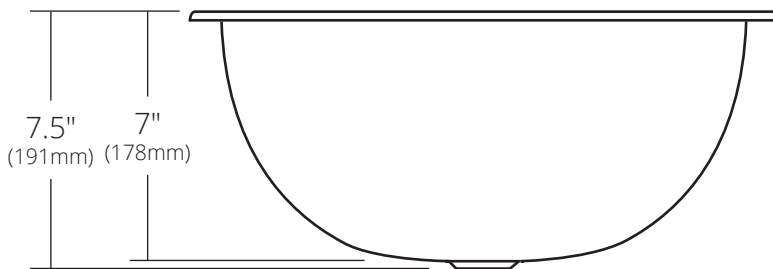
CAMEO



TOP VIEW



SIDE VIEW



CPS248 Antique
CPS548 Brushed Nickel

PRODUCT DETAILS

- 17" x 13.25" x 7.5" OD (432mm x 337mm x 191mm)
- 15.25" x 11.5" x 7" ID (387mm x 292mm x 178mm)
- Hand hammered 16 gauge recycled copper
- 1.5" (38mm) drain opening

INSTALLATION

- Universal Mount

COORDINATING PRODUCTS

- Drains : DR120, DR130, DR150 or DR160
- MetalProtect™

STANDARDS COMPLIANCE

- UPC/cUPC compliant

IMPORTANT

Due to the handcrafted nature of this product, it will vary in finish, texture, hammering, and other details. Dimensions may vary up to ¼" (6mm). We strongly recommend waiting for the actual product before making any installation cuts.