

SPECIFICATIONS

CABANA



CPS213 Antique
CPS513 Brushed Nickel

PRODUCT DETAILS

- 18" x 16" x 7.5" OD (457mm x 406mm x 191mm)
- 14" x 12" x 7" ID (356mm x 305mm x 178mm)
- Hand hammered 16 gauge recycled copper
- Apron extends 2.5" (64mm) on sides
- 3.5" (89mm) drain opening

INSTALLATION

- Undermount

COORDINATING PRODUCTS

- Drains: DR320 or DR340

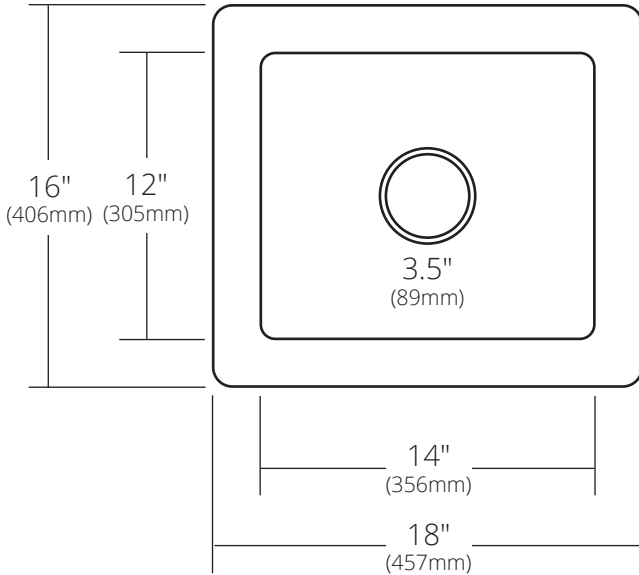
STANDARDS COMPLIANCE

- UPC/cUPC compliant

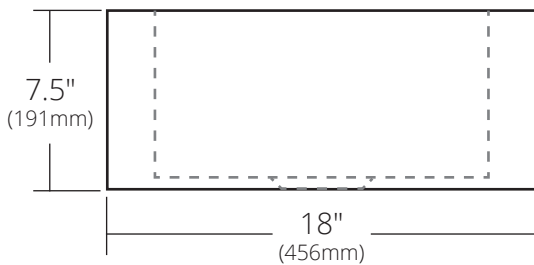
IMPORTANT

Due to the handcrafted nature of this product, it will vary in finish, texture, hammering, and other details. Dimensions may vary up to ¼" (6mm). We strongly recommend waiting for the actual product before making any installation cuts.

TOP VIEW



FRONT VIEW



SIDE VIEW

