

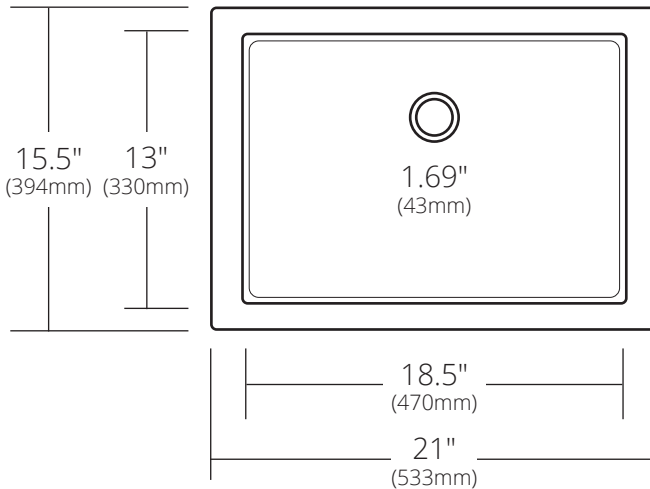
## SPECIFICATIONS

# ANACAPA

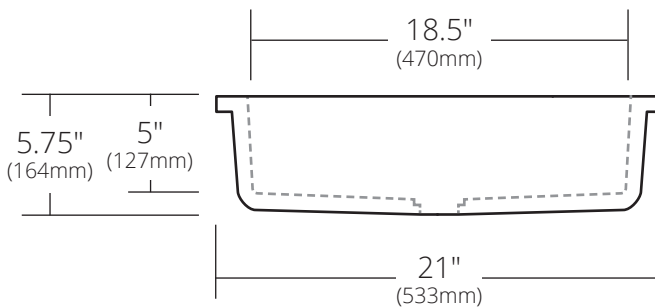
NativeStone® Collection



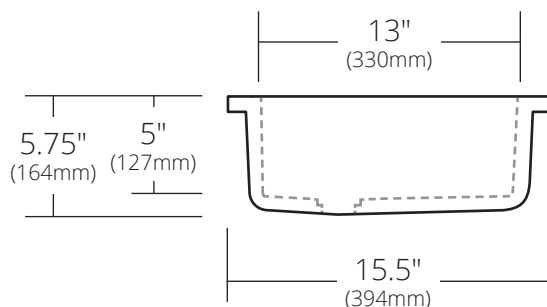
TOP VIEW



FRONT VIEW



SIDE VIEW



NSL2116-A Ash  
 NSL2116-C Charcoal  
 NSL2116-D Sand  
 NSL2116-E Earth  
 NSL2116-F Forest  
 NSL2116-G Sage  
 NSL2116-O Ocean  
 NSL2116-P Pearl  
 NSL2116-S Slate  
 NSL2116-T Terracotta

### PRODUCT DETAILS

- 21" x 15.5" x 5.75" OD (533mm x 394mm x 164mm)
- 18.5" x 13" x 5" ID (470mm x 330mm x 127mm)
- 1.69" (43mm) drain opening for a 1.5" drain
- Handcrafted from sustainable NativeStone
- Sealed with NativeStone Shield™
- Weight: approx. 26lbs

### INSTALLATION

- Undermount

### COORDINATING PRODUCTS

- Vanity Top Cutout: R1813
- Drains: DR120, DR130 or DR150
- UK1426 Undermount Kit

### STANDARDS COMPLIANCE

- UPC/cUPC compliant

### IMPORTANT

Do NOT use tape or other adhesives on NativeStone as it may remove the sealer.

Due to the handcrafted nature of this product, it will vary in finish, texture, and other details. Dimensions may vary up to ¼" (6mm). We strongly recommend waiting for the actual product before making any installation cuts.