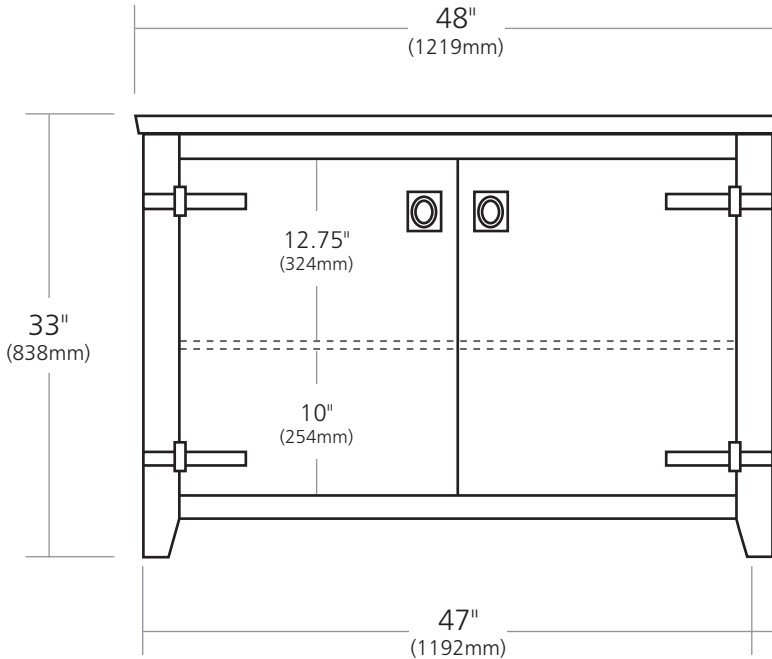


SPECIFICATIONS

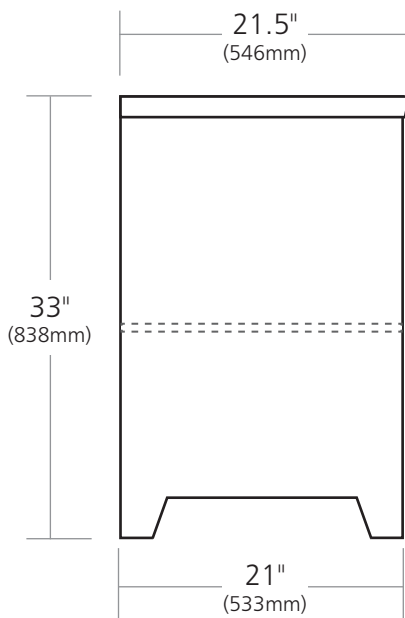
48" AMERICANA VANITY

Americana Collection

FRONT VIEW



SIDE VIEW



- VNB481 Chestnut
- VNB480 Whitewash
- VNB488 Anvil
- VNB489 Driftwood

PRODUCT DETAILS

- 48"w x 21.5"d x 33"h (1219mm x 546mm x 838mm)
- Handcrafted by American artisans from reclaimed wood
- Hand forged iron hinges and pulls
- Solid wood back
- Hand rubbed finish
- Interior shelf

INSTALLATION

- Freestanding vanity base

COORDINATING PRODUCTS

- Any Native Trails copper or stone vanity top
- Americana Mirror

IMPORTANT

Due to the handcrafted nature of this product, it will vary in finish, texture, and other details. Dimensions may vary up to 1/4" (6mm).