

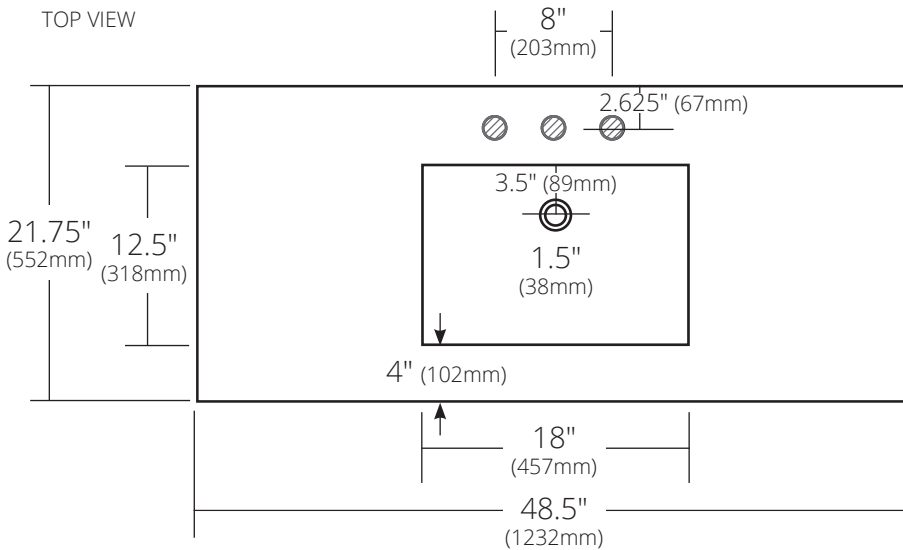
SPECIFICATIONS

48" PALOMAR VANITY TOP WITH INTEGRAL SINK

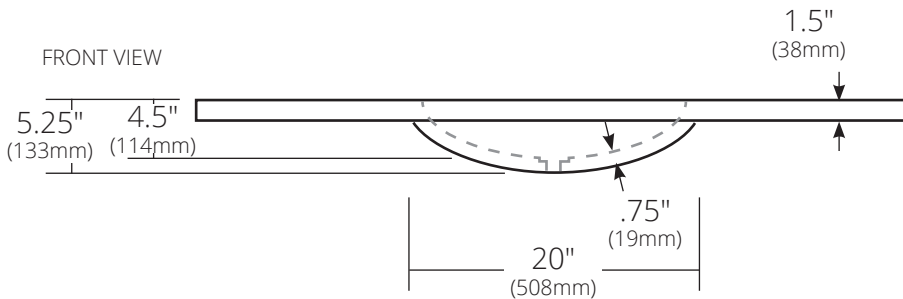
NativeStone® Collection



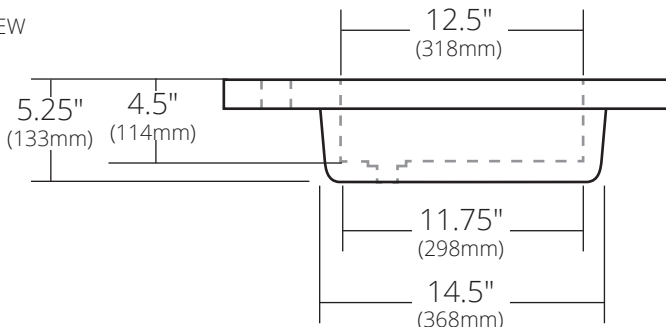
TOP VIEW



FRONT VIEW



SIDE VIEW



8" Faucet Spread

- NSVNT48-A Ash
- NSVNT48-P Pearl
- NSVNT48-S Slate
- NSVNT48-E Earth



Single Faucet Hole

- NSVNT48-A1 Ash
- NSVNT48-S1 Slate
- NSVNT48-P1 Pearl
- NSVNT48-E1 Earth

PRODUCT DETAILS

- 48.5" x 21.75" x 5.25" OD (1232mm x 552mm x 133mm)
- Basin 18" x 12.5" x 4.5" (457mm x 318mm x 114mm)
- 1.5" (38mm) drain opening
- Pre-drilled for 8" (203mm) faucet spread or single faucet hole
- Handcrafted from sustainable NativeStone®
- Sealed with impermeable nano sealer

COORDINATING PRODUCTS

- Drains: DR120, DR130 or DR150
- NativeStone® Sealer

STANDARDS COMPLIANCE

- UPC/cUPC compliant
- **ADA COMPLIANT**

IMPORTANT

Do NOT use tape or other adhesives on NativeStone® as it may remove the sealer.

Due to the handcrafted nature of this product, it will vary in finish, texture, and other details. Dimensions may vary up to 1/4" (6mm).